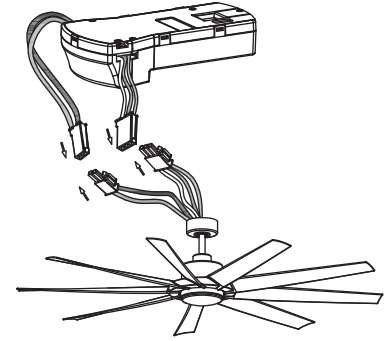
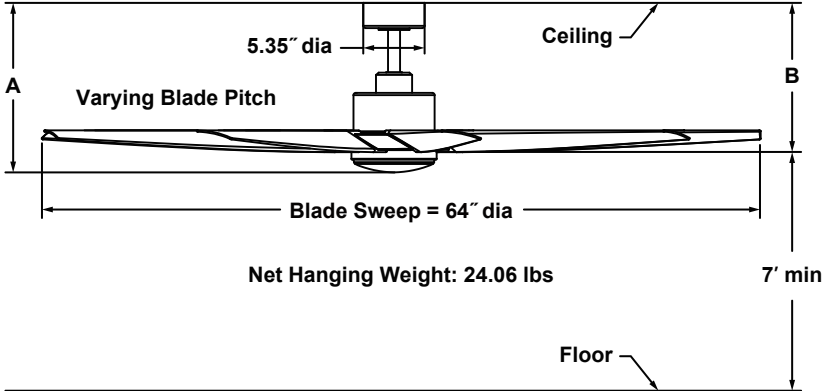


SIXTYFOUR™

LP6864LBL

(Lowe's Item #5497084)

64" Ceiling Fan



featuring KwikWire easy connection

INSTALLATION REQUIREMENTS:

Fan must be attached to a securely anchored electrical junction box capable of withstanding a load of at least 35 lbs.

ELECTRICAL REQUIREMENTS:

Requires a grounded electrical supply line of 120 volts AC, 60 Hz, 15 amp circuit.

MOTOR SPECS:

DC135 DC motor is designed for optimal performance with this fan.

BLADE SET:

A set of nine 28" composite blades is included.

CONTROL OPTIONS:

TR305S hand-held remote control is included. Push button remote control with 16 fan speeds, fresh air, reverse, ON/OFF dimmer light levels, CCT Select (correlated color temperature selection), fan/light timer, home away, safe exit and off button. Optional TW306 wall control is available — sold separately. Instructions is provided with each control.

LIGHTING OPTIONS:

One 24-watt CCT LED (3000K/4000K/5000K) included.

DOWNROD OPTIONS:

Fan comes with a 1" dia. x 6" long downrod (DRT1-6). Optional downrods are available in 12", 18", 24", 36", 48", 60" and 72". Fan can be mounted on a sloped ceiling up to 19°. Most sloped ceiling installations require a standard 12" downrod or longer downrod. Optional sloped ceiling kits (SCK1-52) are available for up to 42°. Optional close-to-ceiling kit is available as well — sold separately. Call technical support for more information.

LOCATION USE:

Fan is rated for dry and damp locations. This fan is for room over 400 sq ft.

	A	B
Fan w/6" downrod	14.80"	12.95"
Fan w/12" downrod	20.80"	18.95"
Fan w/18" downrod	26.80"	24.95"
Fan w/24" downrod	32.80"	30.95"
Fan w/36" downrod	44.80"	42.95"
Fan w/48" downrod	56.80"	54.95"
Fan w/60" downrod	68.80"	66.95"
Fan w/72" downrod	80.80"	78.95"

Available Finishes	
LBL	Black with Black Blades and Opal Frosted Glass

Airflow / Energy Efficiency Info (120V)					
Fan Speed	Max RPM	CFM	CFM / Watts	Amps	Watts
High (16 th)	110	8519	256	0.49	33
Med (9 th)	72	5544	591	0.15	9
Low (1 th)	29	2179	1048	0.05	2

Energy Guide FTC			
Power (W _{ave})	Total Air Delivery (CFM _{ave})	Estimated Yearly Energy Cost (\$)	Ceiling Fan Efficiency (CFM/W)
22	5547	6	257

Light Bulb Information (120V)					
Bulb Type	Watts	QTY	Lumens Amount	Color Temp	CRI
LED	24	1	2200	3000/4000/5000	90%