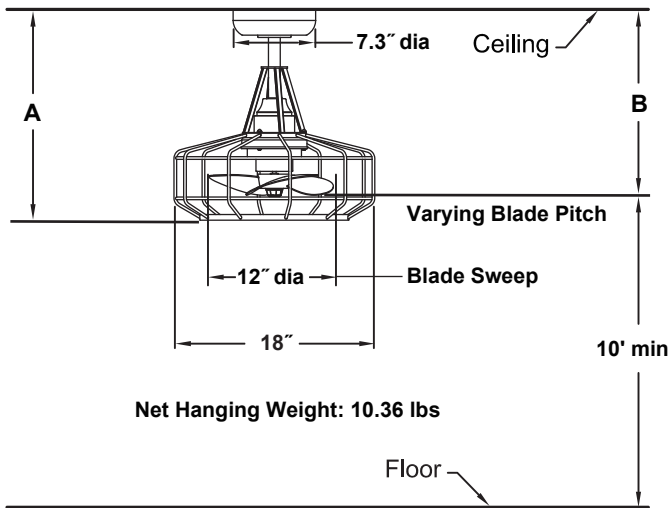


**ARCHIVE™**

**LP3071\*\***  
**18" Ceiling Fan**



|                   | A      | B      |
|-------------------|--------|--------|
| Fan w/8" downrod  | 18.88" | 15.77" |
| Fan w/12" downrod | 22.88" | 19.77" |
| Fan w/18" downrod | 28.88" | 25.77" |
| Fan w/24" downrod | 34.88" | 31.77" |
| Fan w/36" downrod | 46.88" | 43.77" |
| Fan w/48" downrod | 58.88" | 55.77" |
| Fan w/60" downrod | 70.88" | 67.77" |
| Fan w/72" downrod | 82.88" | 79.77" |

**INSTALLATION REQUIREMENTS:**

Fan must be attached to a securely anchored electrical junction box capable of withstanding a load of at least 35 lbs.

**ELECTRICAL REQUIREMENTS:**

Requires a grounded electrical supply line of 120 volts AC, 60Hz, 15 amp circuit.

**MOTOR SPECS:**

79.5 x 64 AC motor is designed for optimal performance with this fan.

**CONTROL OPTIONS:**

TR500S hand-held remote control is included. Push button remote control with variable fan speeds, fan timer and off button. Optional CWRL4, WC1WH and WR500WH wall controls, CRL4WH hand held remote control and WFR50 WiFi receiver unit are available—sold separately. Instructions are provided with each control.

**DOWNROD OPTIONS:**

Fan comes with a 1" Dia. x 8" downrod (DRT1-8). Optional downrods are available in 12", 18", 24", 36", 48", 60" and 72" lengths. Fan can be mounted on a sloped ceiling up to 20°. Most sloped ceiling installations require a standard 8" downrod or longer downrod. Optional sloped ceiling kits (SCK1-52) are available for slope angles up to 42°. Call technical support for more information.

**LOCATION USE:**

Fan is rated for dry and damp locations. This fan is for rooms up to 100 sq ft.

| Available Finishes |  |
|--------------------|--|
| LBL                | Black with Black Blade                 |
| LBN                | Brushed Nickel with Gray Blade         |
| LGR                | Matte Greige with Weathered Wood Blade |

| Airflow / Energy Efficiency Info (120V) |         |     |             |      |       |
|---|---------|-----|-------------|------|-------|
| Fan Speed                               | Max RPM | CFM | CFM / Watts | Amps | Watts |
| High                                    | 1107    | 953 | 37          | 0.22 | 26    |
| Med                                     | 860     | 746 | 40          | 0.19 | 19    |
| Low                                     | 602     | 537 | 46          | 0.16 | 12    |

| Energy Guide FTC          |  |                                   |                                |
|---------------------------|--|-----------------------------------|--------------------------------|
| Power (W <sub>ave</sub> ) | Total Air Delivery (CFM <sub>ave</sub> ) | Estimated Yearly Energy Cost (\$) | Ceiling Fan Efficiency (CFM/W) |
| 20                        | 745                                      | 6                                 | 37                             |