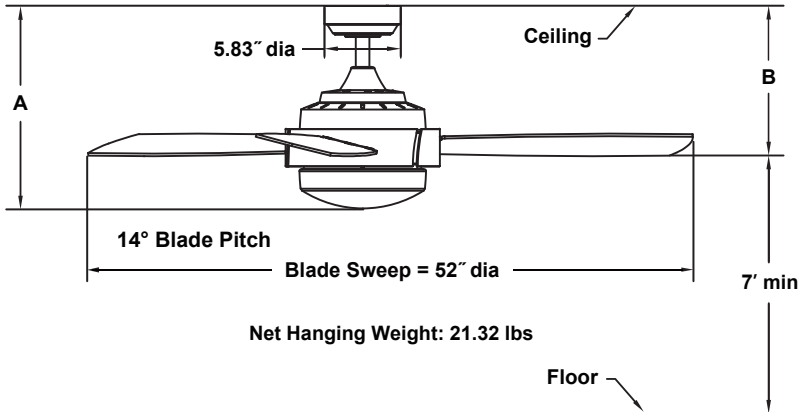




COOP™

LP8081B** 52" Ceiling Fan



	A	B
Fan w/4.5" downrod	15.12"	11.55"
Fan w/12" downrod	22.62"	19.05"
Fan w/18" downrod	28.62"	25.05"
Fan w/24" downrod	34.62"	31.05"
Fan w/36" downrod	46.62"	43.05"
Fan w/48" downrod	58.62"	55.05"
Fan w/60" downrod	70.62"	67.05"
Fan w/72" downrod	82.62"	79.05"

INSTALLATION REQUIREMENTS:

Fan must be attached to a securely anchored electrical junction box capable of withstanding a load of at least 35 lbs.

ELECTRICAL REQUIREMENTS:

Requires a grounded electrical supply line of 120 volts AC, 60 Hz, 15 amp circuit.

MOTOR SPECS:

172 x 17 AC motor is designed for optimal performance with this fan.

BLADE SET:

A set of three 21" reversible plywood blades is included.

CONTROL OPTIONS:

TR500S hand-held remote control is included. Push button remote control with variable fan speeds, infinite light levels and off button. Optional WC2WH, WR501WH and CWRL4 wall controls, CRL4WH hand-held remote control and WFR50 WiFi receiver are available — sold separately. Instructions are provided with each control.

LIGHTING OPTIONS:

One 18-watt LED included.

DOWNROD OPTIONS:

Fan comes with a 1" Dia. x 4.5" downrod (DRT1-45). Optional downrods are available in 12", 18", 24", 36", 48", 60" and 72". Fan can be mounted on a sloped ceiling up to 19°. Most sloped ceiling installations require a standard 12" downrod or longer downrod. Optional sloped ceiling kits (SCK1-52) are available for up to 42°. Call technical support for more information.

LOCATION USE:

Fan is rated for dry location only. This fan is for room up to 400 sq ft.

Available Finishes

LAZ	Aged Bronze with Cherry/Dark Walnut Blades and Opal Frosted Glass
LBL	Black with Black Blades and Opal Frosted Glass
LBN	Brushed Nickel with Gray Blades and Opal Frosted Glass

Airflow / Energy Efficiency Info (120V)

Fan Speed	Max RPM	CFM	CFM / Watts	Amps	Watts
High	171	5125	82	0.52	62
Med	125	3645	105	0.39	35
Low	68	1864	150	0.23	12

Energy Guide FTC

Power (W _{ave})	Total Air Delivery (CFM _{ave})	Estimated Yearly Energy Cost (\$)	Ceiling Fan Efficiency (CFM/W)
40	3596	11	90

Light Bulb Information (120V)

Bulb Type	Watts	QTY	Lumens Amount	Color Temp	CRI
LED	18	1	1500	3000	90%