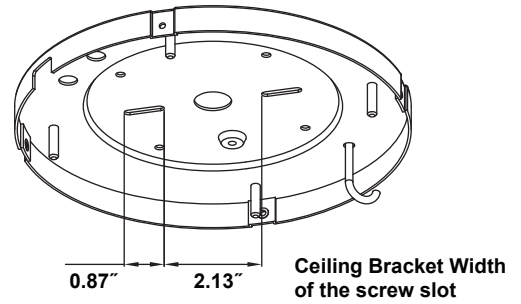
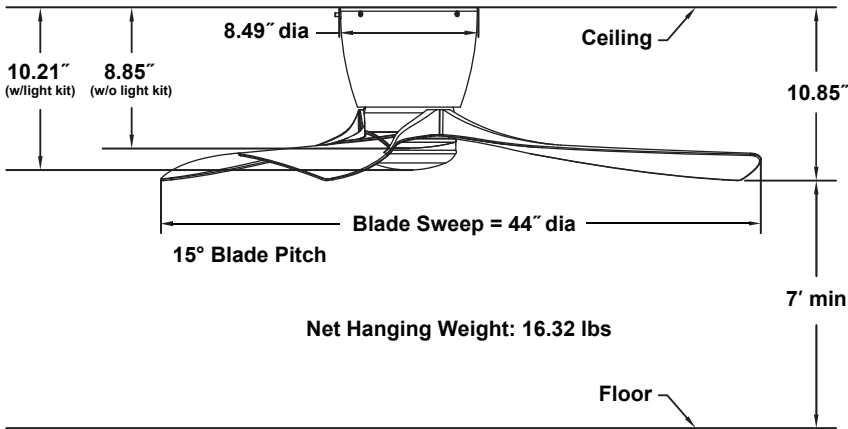
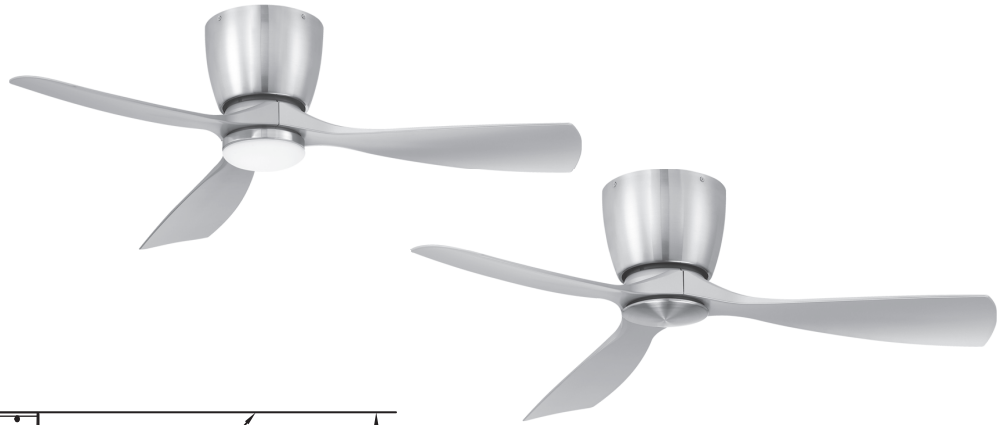


**KLINCH™ 44**

**FPS7681\*\***

**44" Ceiling Fan**



**INSTALLATION REQUIREMENTS:**

Fan must be attached to a securely anchored electrical junction box capable of withstanding a load of at least 35 lbs.

**ELECTRICAL REQUIREMENTS:**

Requires a grounded electrical supply line of 120 volts AC, 60 Hz, 15 amp circuit.

**MOTOR SPECS:**

153 x 15 AC motor is designed for optimal performance with this fan.

**BLADE SET:**

A set of three 21" composite blades is included.

**CONTROL OPTIONS:**

TR500 hand-held remote control is included. Push button remote control with variable fan speeds, infinite light levels and off button. Optional WC1WH, WC2WH, WR500WH, WR501WH wall controls and WFR50 WiFi receiver unit are available — sold separately. Instructions are provided with each control.

**LIGHTING OPTIONS:**

One 18-watt LED included.

**LOCATION USE:**

Fan is rated for dry and damp locations. This fan is for room up to 225 sq ft.

Available Finishes	
BL	Black with Black Blades and Opal Frosted Glass / Steel Cap
BN	Brushed Nickel with Gray Blades and Opal Frosted Glass / Steel Cap
MW	Matte White with Matte White Blades and Opal Frosted Glass / Steel Cap

Airflow / Energy Efficiency Info (120V)					
Fan Speed	Max RPM	CFM	CFM / Watts	Amps	Watts
High	173	4054	85	0.40	48
Med	122	2835	111	0.30	26
Low	67	1602	157	0.19	10

Energy Guide FTC			
Power (W <sub>ave</sub> )	Total Air Delivery (CFM <sub>ave</sub> )	Estimated Yearly Energy Cost (\$)	Ceiling Fan Efficiency (CFM/W)
31	2904	9	93

Light Bulb Information (120V)					
Bulb Type	Watts	QTY	Lumens Amount	Color Temp	CRI
LED	18	1	1600	3000	90%