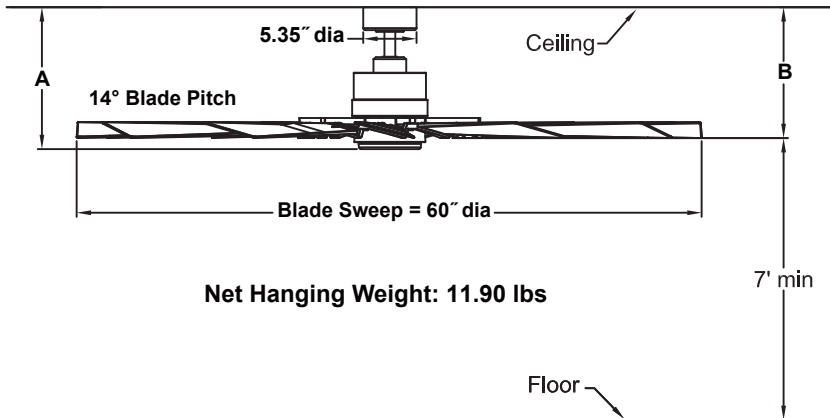




**KINDRED™**

**LP8543LGR**  
(Lowes Item #2599788)  
**60" Ceiling Fan**



	A	B
Fan w/4.5" downrod	13.65"	12.84"
Fan w/12" downrod	21.15"	20.34"
Fan w/18" downrod	27.15"	26.34"
Fan w/24" downrod	33.15"	32.34"
Fan w/36" downrod	45.15"	44.34"
Fan w/48" downrod	57.15"	56.34"
Fan w/60" downrod	69.15"	68.34"
Fan w/72" downrod	81.15"	80.34"

**Available Finishes**

LGR	Matte Greige with Weathered Wood Blade and Opal Frosted Glass
-----	---

**INSTALLATION REQUIREMENTS:**

Fan must be attached to a securely anchored electrical junction box capable of withstanding a load of at least 35 lbs.

**ELECTRICAL REQUIREMENTS:**

Requires a grounded electrical supply line of 120 volts AC, 60 Hz, 15 amp circuit.

**MOTOR SPECS:**

DC-165NL sensorless DC motor is designed for optimal performance with this fan. Fan is Energy Star Rated.

**BLADES:**

A set of twelve 22" composite blades is included.

**CONTROL OPTIONS:**

TR305S hand-held remote control is included. Push button remote control with 16 fan speeds, fresh air, reverse, ON/OFF dimmer light levels, color temperature, fan/light timer, home away, safe exit and off button. Optional TW306 wall control is available — sold separately. Instructions is provided with each control.

**LIGHTING OPTIONS:**

One 18-watt CCT LED (3000K/4000K/5000K) included.

**DOWNROD OPTIONS:**

Fan comes with a 1" dia. x 4.5" long downrod (DRT1-4.5). Optional downrods are available in 12", 18", 24", 36", 48", 60" and 72". For installations requiring a longer downrod, a downrod coupler is available. Fan can be mounted on a sloped ceiling up to 19°. Most sloped ceiling installations require a standard 12" downrod or longer downrod. Optional sloped ceiling kits (SCK1-52) are available for up to 42°. Optional close-to-ceiling kit is available as well—sold separately. Call technical support for more information.

**LOCATION USE:**

Fan is rated for dry and damp locations. This fan is for room over 400 sq ft.

**Airflow / Energy Efficiency Info (120V)**

Fan Speed	Max RPM	CFM	CFM / Watts	Amps	Watts
High (16 <sup>th</sup> )	127	6162	203	0.40	30
Med (9 <sup>th</sup> )	81	4009	477	0.13	8
Low (1 <sup>th</sup> )	29	1233	576	0.04	2

**Energy Guide FTC**

Power (Wave)	Total Air Delivery (CFMave)	Estimated Yearly Energy Cost (\$)	Ceiling Fan Efficiency (CFM/W)
20	3861	6	197

**Light Bulb Information (120V)**

Bulb Type	Watts	QTY	Lumens Amount	Color Temp	CRI
LED	18	1	1600	3000/4000/5000	90%