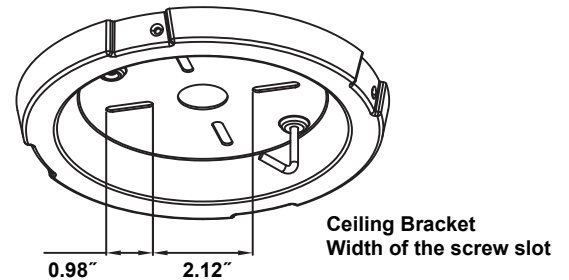
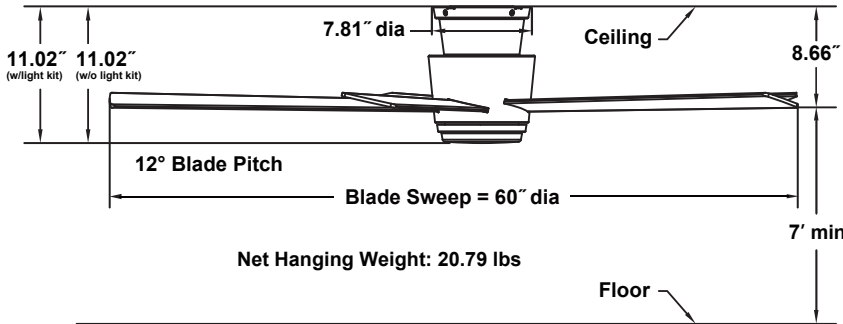


FANIMATION
studio collection

AIREHUG™

LP7668LBL 60" Ceiling Fan



INSTALLATION REQUIREMENTS:

Fan must be attached to a securely anchored electrical junction box capable of withstanding a load of at least 35 lbs.

ELECTRICAL REQUIREMENTS:

Requires a grounded electrical supply line of 120 volts AC, 60 Hz, 15 amp circuit.

MOTOR SPECS:

188 x 20 AC motor is designed for optimal performance with this fan.

BLADE SET:

A set of five 28" plywood blades is included.

CONTROL OPTIONS:

TR800S hand-held remote control is included. Push button remote control with variable fan speeds, ON/OFF dimmer light levels, color temperature and off button. Optional WC4WH and WR503WH wall controls are available — sold separately. Instructions is provided with each control.

LIGHTING OPTIONS:

One 18-watt CCT LED (3000K/4000K/5000K) included.

LOCATION USE:

Fan is rated for dry location only. This fan is for room over 400 sq ft.

Available Finishes

LBL	Black with Black Blade and Opal Frosted Glass / Steel Cap
-----	---

Airflow / Energy Efficiency Info (120V)

Fan Speed	Max RPM	CFM	CFM / Watts	Amps	Watts
High	141	6138	69	0.75	89
Med	101	4490	96	0.55	47
Low	60	2459	132	0.34	19

Energy Guide FTC

Power (Watt)	Total Air Delivery (CFMave)	Estimated Yearly Energy Cost (\$)	Ceiling Fan Efficiency (CFM/W)
56	4414	16	78

Light Bulb Information (120V)

Bulb Type	Watts	QTY	Lumens Amount	Color Temp	CRI
LED	18	1	1600	3000/4000/5000	90%