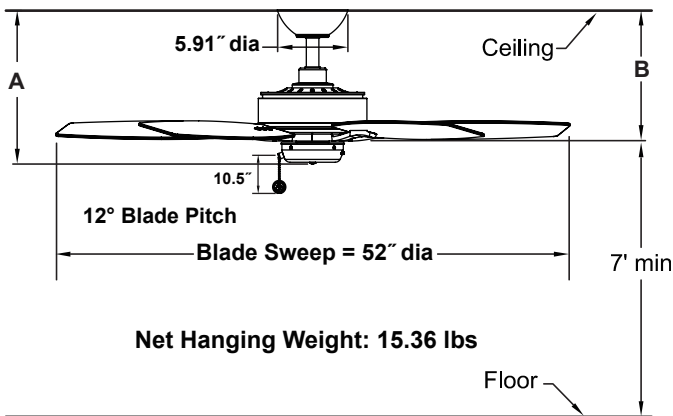


AIRE DELUXE™**FP6284**
52" Ceiling Fan****INSTALLATION REQUIREMENTS:**

Ceiling fan attaches to electrical junction box securely anchored and capable of withstanding a load of at least 35 lbs.

ELECTRICAL REQUIREMENTS:

Ceiling fan requires a grounded electrical supply line of 120 volts AC, 60 Hz, 15 amp circuit.

MOTOR SPECS:

153 x 15 AC motor is designed for optimal performance with this fan.

BLADE SETS:

A set of five 21" reversible plywood blades is included.

CONTROL OPTIONS:

Three fan speeds pull chain control included. The reverse switch is located on the switch housing. Optional CW5, WC1WH, WC2WH, WR500WH, WR501WH and CWRL4 wall controls are available, optional BTCR9, CRL4WH and CR500 remote controls, BTR9 receiver unit and WFR50 WiFi receiver unit are available — sold separately. Instructions are provided with each control.

DOWNROD OPTIONS:

Fan comes with 1" dia. x 4.5" long downrod. Optional downrods available in 12", 18", 24", 36", 48", 60", and 72" lengths. A downrod coupler is available for installations requiring a downrod longer than 72". Fan can be mounted on a sloped ceiling up to 19°. Most sloped ceiling installations require a standard 12" downrod or longer downrod. Optional close-to-ceiling kit is available as well — sold separately. Optional sloped ceiling kits (SCK1-52) are available for up to 42°. Call technical support for more information.

LOCATION USE:

Fan is rated for dry locations only. This fan is for room up to 400 sq ft.

	A	B
Fan w/4.5" downrod	12.77"	10.59"
Fan w/12" downrod	20.27"	18.09"
Fan w/18" downrod	26.27"	24.09"
Fan w/24" downrod	32.27"	30.09"
Fan w/36" downrod	44.27"	42.09"
Fan w/48" downrod	56.27"	54.09"
Fan w/60" downrod	68.27"	66.09"
Fan w/72" downrod	80.27"	78.09"

Available Finish

BN	Brushed Nickel With Cherry/Dark Walnut Blade
DZ	Dark Bronze With Cherry/Dark Walnut Blade
GR	Matte Greige With Weathered Wood Blade
MW	Matte White With Matte White Blade

Airflow / Energy Efficiency Info (120V)

Fan Speed	Max RPM	CFM	CFM / Watts	Amps	Watts
High	158	4908	89	0.46	55
Med	113	3288	126	0.33	26
Low	66	1897	183	0.20	10

Energy Guide FTC

Power (W _{ave})	Total Air Delivery (CFM _{ave})	Estimated Yearly Energy Cost (\$)	Ceiling Fan Efficiency (CFM/W)
34	3496	10	102