

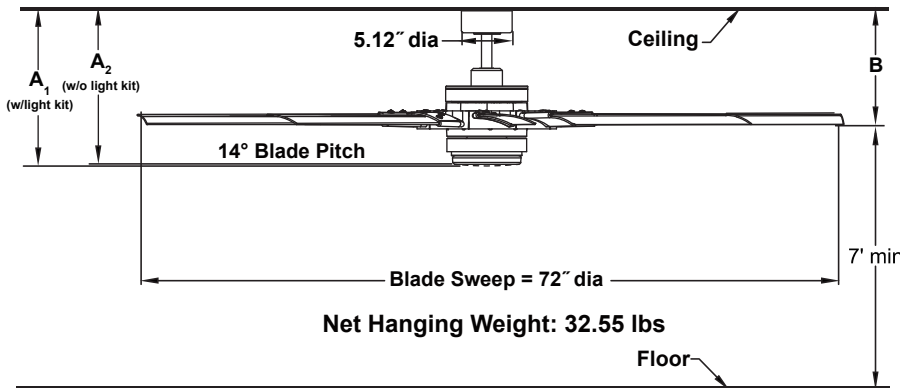
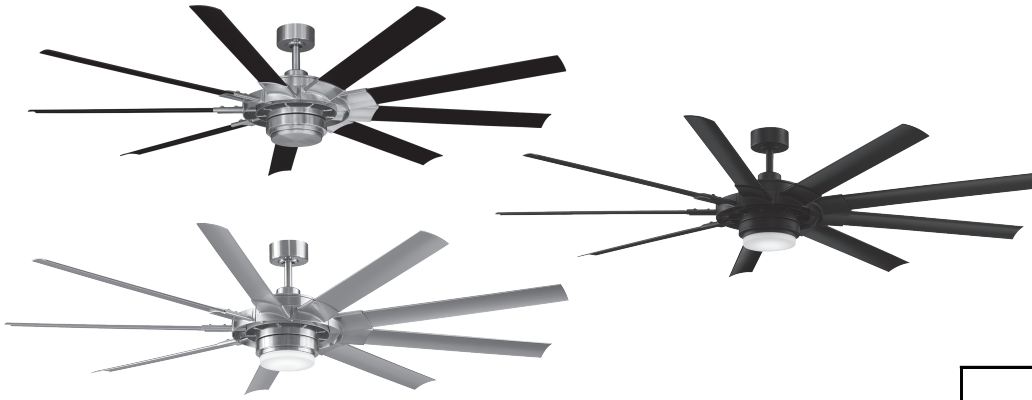


SLINGER™ v2

LP8147SLBN
(Lowe's Item #581598)

LP8147SLBL
(Lowe's Item #795392)

LP8147SLBNBL
72" Ceiling Fan



	A ₁	A ₂	B
Fan w/ 6" downrod	15.65"	15.34"	11.52"
Fan w/12" downrod	21.65"	21.34"	17.52"
Fan w/18" downrod	27.65"	27.34"	23.52"
Fan w/24" downrod	33.65"	33.34"	29.52"
Fan w/36" downrod	45.65"	45.34"	41.52"
Fan w/48" downrod	57.65"	57.34"	53.52"
Fan w/60" downrod	69.65"	69.34"	65.52"
Fan w/72" downrod	81.65"	81.34"	77.52"

Available Finishes

LBN	Brushed Nickel with Gray Blade and Opal Frosted Glass / Steel Cap
LBL	Black with Black Blade and Opal Frosted Glass / Steel Cap
LBNBL	Brushed Nickel with Black Blade and Opal Frosted Glass / Steel Cap

INSTALLATION REQUIREMENTS:

Fan must be attached to a securely anchored electrical junction box capable of withstanding a load of at least 35 lbs.

ELECTRICAL REQUIREMENTS:

Requires a grounded electrical supply line of 120 volts AC, 60 Hz, 15 amp circuit.

MOTOR SPECS:

DC-165NM sensorless DC motor is designed for optimal performance with this fan. Fan is Energy Star Rated.

BLADES:

A set of nine 29" plastic blades is included.

CONTROL OPTIONS:

TR205DS hand-held remote control is included. Push button remote control with 16 fan speeds, fresh air, reverse, infinite light levels, fan/light timer, home away, safe exit and off button. Optional TW206D wall control is available— sold separately. Instructions is provided with each control.

LIGHTING OPTIONS:

One 18-watt LED included.

DOWNROD OPTIONS:

Fan comes with a 1" Dia. x 6" downrod (DRT1-6). Optional downrods are available in 12", 18", 24", 36", 48", 60" and 72". For installations requiring a longer downrod, a downrod coupler is available. Fan can be mounted on a sloped ceiling up to 19°. Optional sloped ceiling kits (SCK1-52) are available for up to 42°. Call technical support for more information.

LOCATION USE:

Fan is rated for dry and damp locations.

Airflow / Energy Efficiency Info (120V)

Fan Speed	Max RPM	CFM	CFM / Watts	Amps	Watts
High (16 th)	87	8563	285	0.39	30
Med (9 th)	59	5573	615	0.14	9
Low (1 th)	29	2478	960	0.05	3

Energy Guide FTC

Power (Watt)	Total Air Delivery (CFMave)	Estimated Yearly Energy Cost (\$)	Ceiling Fan Efficiency (CFM/W)
20	6830	6	342

Light Bulb Information (120V)

Bulb Type	Watts	QTY	Lumens Amount	Color Temp	CRI
LED	18	1	1500	3000	90%