

# TR33 Remote Control

## SPECIFICATION and INSTRUCTION SHEET



**DESCRIPTION:** One Ceiling Fan Only, 3 Speed Remote Control

**ELECTRICAL SPECS:** 1A, 120V, 60Hz Ceiling Fan

**FAN MODEL USED:** See Catalog or visit our website [www.fanimation.com](http://www.fanimation.com) for more information

## How to Wire and Operate Your TR33 Remote Control

**NOTE:** If fan or supply wires are different colors than indicated, have this unit installed by a qualified electrician.

### ⚠ WARNING

To avoid possible electrical shock, be sure electricity is turned off at the main fuse box before wiring.  
**NOTE:** If you are not sure if the outlet box is grounded, contact a licensed electrician for advice, as it must be grounded for safe operation.

**1. Setting the Code:** The remote unit has 16 different code combinations. To prevent possible interference from or to other remote units such as garage door openers, car alarm or security systems, simply change the combination code in your transmitter and receiver. To set the code, perform these steps.

**2. Transmitter:** remove battery cover. Press firmly below arrow and slide battery cover off. Slide code switches to your choice of up or down position. Factory setting is all up. Do not use this position. With a small screwdriver or ball point pen slide firmly up or down (Figure 1a). Replace battery cover on the transmitter.

**3. Receiver:** Slide code switches to the same positions as set on your transmitter (Figure 1b).

**4. Installing Receiver in Hanger Bracket:**

- Slide remote Receiver into the Hanger Bracket (Figure 2).
- Connect wires as indicated: (Figure 3)
  - Green Ceiling Plate and Motor Bracket wires to BARE (ground) wire.
  - BLACK Receiver Unit wire (AC IN L) to BLACK supply wire.
  - WHITE Receiver Unit wire (AC IN N) to WHITE supply wire.
  - WHITE Receiver Unit wire (TO MOTOR N) to WHITE fan wire.
  - BLACK Receiver Unit wire (TO MOTOR L) to BLACK fan wire.
- Position all connected wires and receiver antenna to allow installation of motor assembly.
- Reinstall ceiling canopy using canopy screws.
- Restore electrical power.

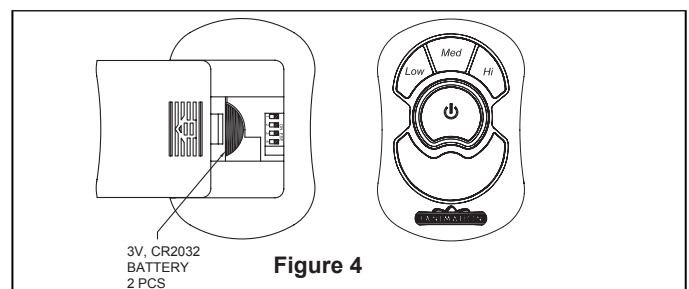
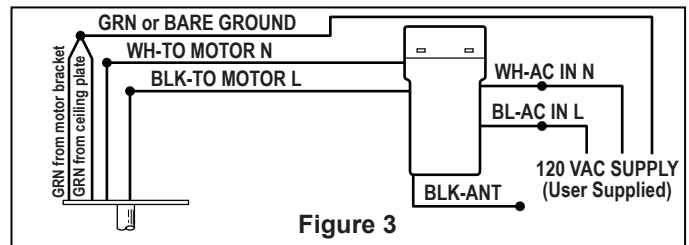
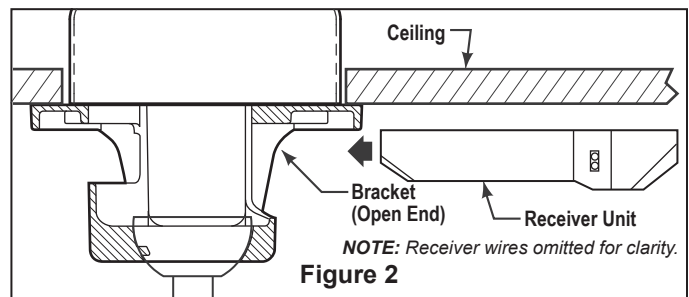
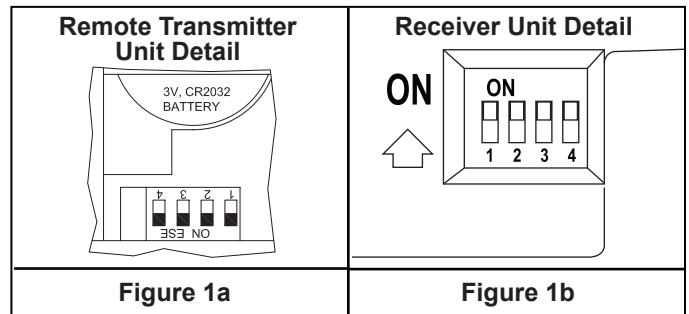
### ⚠ WARNING

Check to see that all connections are tight, including ground, and that no bare wire is visible at the wire connectors, except for the ground wire. Do not operate fan until the blades is in place. Noise and fan damage could result.

**5. Operating & Using Remote Transmitter (Figure 4):**

Install two piece of 3 volt battery (If not using for long periods of time, remove battery to prevent damage to transmitter). Store the transmitter away from excess heat or humidity.

- HI Push Button – high fan speed
- MED Push Button – medium fan speed
- LOW Push Button – low fan speed
- OFF Push Button – fan off
- Center Button – no function

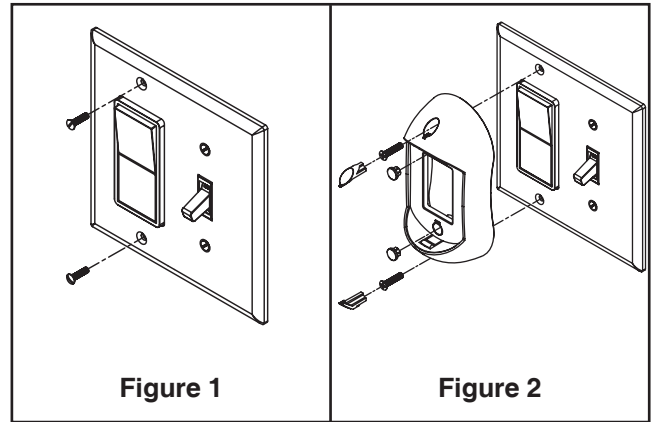


**NOTE:** Set fan switch to high speed before using the remote control. You can now use your speed control to select any of the 3-speeds plus OFF.

---

## How to Install Your Remote Control (Option #1)

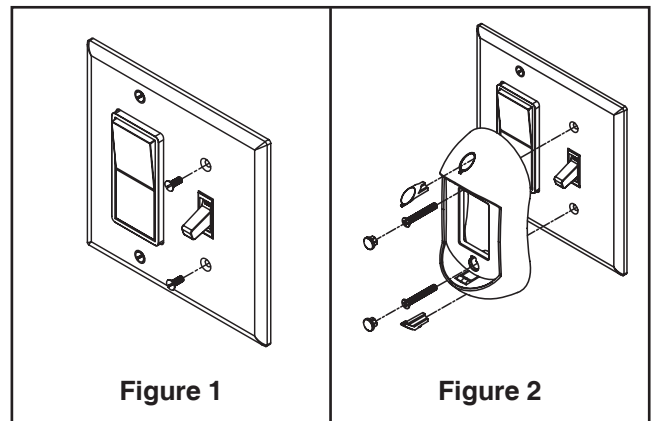
1. Unthread two screws from the wall switch plate.  
(Figure 1)
2. Install the control bracket with two #6-32x 3/4" screws.  
And push the four plastic plug to cover the screw holes.  
(Including in the control).(Figure 2)



---

## How to Install Your Remote Control (Option #2)

1. Unthread two screws from the wall switch plate.  
(Figure 1)
2. Install the control bracket with two #6-32x 1" screws.  
And push the four plastic plug to cover the screw holes.  
(Including in the control).(Figure 2)



---

## How to Install Your Remote Control (Option #3)

1. Drill the two 1/4" holes in wall and use the M6 plastic anchor pushed into the holes. Install the control bracket with two #3- 1" self tap screws. Push the four plastic plug to cover the screw holes. (Including in the control).  
(Figure 1)

