

RC110 Remote Control

SPECIFICATION and INSTRUCTION SHEET



DESCRIPTION: One Ceiling Fan Only, 3 Speed Remote Control

ELECTRICAL SPECS: 1A, 120V, 60Hz Ceiling Fan

FAN MODEL USED: See Catalog or visit our website www.fanimation.com for more information

How to Wire and Operate Your RC110 Remote Control

NOTE: If fan or supply wires are different colors than indicated, have this unit installed by a qualified electrician.

⚠ WARNING

To avoid possible electrical shock, be sure electricity is turned off at the main fuse box before wiring.
NOTE: If you are not sure if the outlet box is grounded, contact a licensed electrician for advice, as it must be grounded for safe operation.

1. Setting the Code: The remote unit has 16 different code combinations. It may be necessary to test a couple frequency code settings to improve signal reception and/or eliminate interference from other remote control household items. Multiple fans should have different code settings to allow independent fan control. To set the code, perform these steps.

2. Transmitter: remove battery cover. Press firmly below arrow and slide battery cover off. Slide code switches to your choice of up or down position. Factory setting is all up. Do not use this position. With a small screwdriver or ball point pen slide firmly up or down (Figure 1a). Replace battery cover on the transmitter.

3. Receiver: Slide code switches to the same positions as set on your transmitter (Figure 1b).

4. Installing Receiver in Hanger Bracket:

- Slide remote Receiver into the Hanger Bracket (Figure 2).
- Connect wires as indicated: (Figure 3)
 - Green Hanger Bracket and Hanger Ball wires to BARE (ground) wire.
 - BLACK Receiver Unit wire (AC IN L) to BLACK supply wire.
 - WHITE Receiver Unit wire (AC IN N) to WHITE supply wire.
 - WHITE Receiver Unit wire (TO MOTOR N) to WHITE fan wire.
 - BLACK Receiver Unit wire (TO MOTOR L) to BLACK fan wire.
- Position all connected wires and receiver antenna to allow installation of ceiling canopy.
- Reinstall ceiling canopy using canopy screws.
- Restore electrical power.

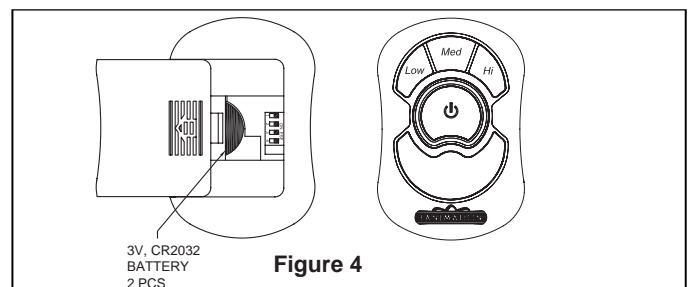
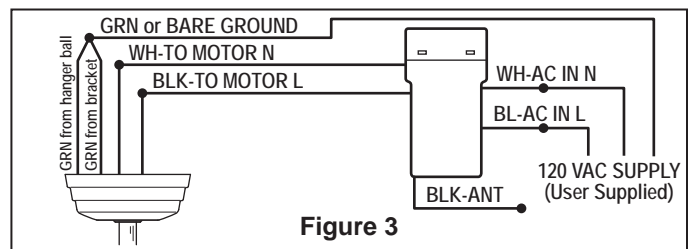
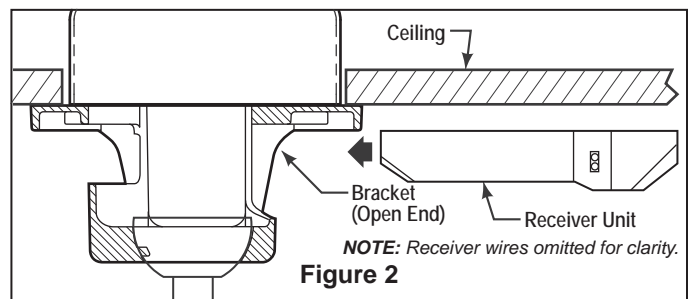
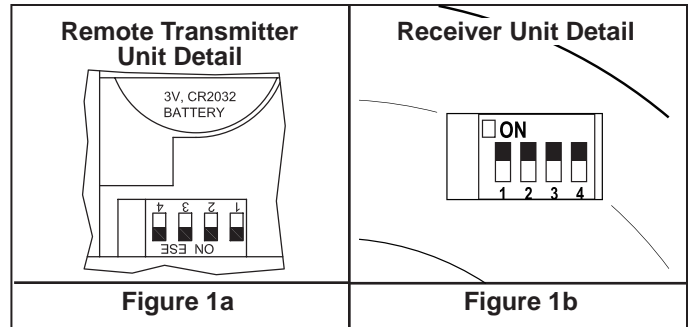
⚠ WARNING

Check to see that all connections are tight, including ground, and that no bare wire is visible at the wire connectors, except for the ground wire. Do not operate fan until the blades is in place. Noise and fan damage could result.

5. Operating & Using Remote Transmitter (Figure 4):

Install two piece of 3 volt battery (If not using for long periods of time, remove battery to prevent damage to transmitter). Store the transmitter away from excess heat or humidity.

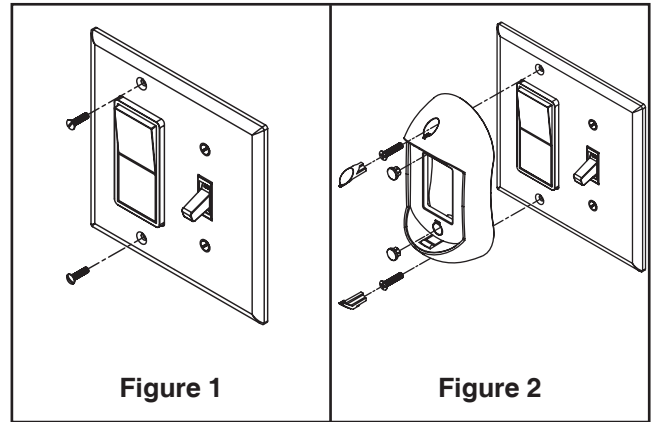
- HI Push Button – high fan speed
- MED Push Button – medium fan speed
- LOW Push Button – low fan speed
- OFF Push Button – fan off
- Center Button – no function



NOTE: Set fan switch to high speed before using the remote control. You can now use your speed control to select any of the 3-speeds plus OFF.

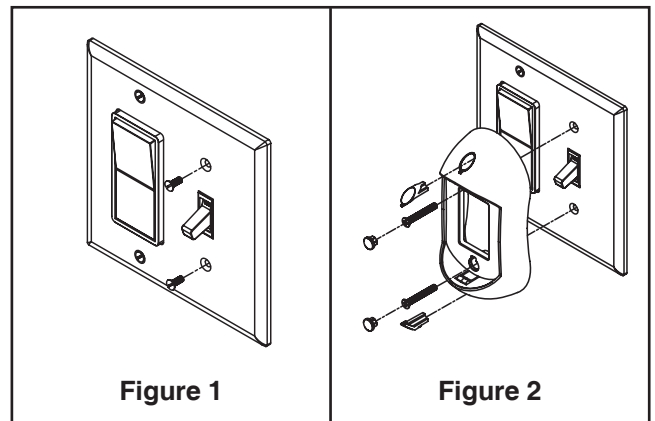
How to Install Your Remote Control (Option #1)

1. Unthread two screws from the wall switch plate.
(Figure 1)
2. Install the control bracket with two #6-32x 3/4" screws.
And push the four plastic plug to cover the screw holes.
(Including in the control).(Figure 2)



How to Install Your Remote Control (Option #2)

1. Unthread two screws from the wall switch plate.
(Figure 1)
2. Install the control bracket with two #6-32x 1" screws.
And push the four plastic plug to cover the screw holes.
(Including in the control).(Figure 2)



How to Install Your Remote Control (Option #3)

1. Drill the two 1/4" holes in wall and use the M6 plastic anchor pushed into the holes. Install the control bracket with two #3- 1" self tap screws. Push the four plastic plug to cover the screw holes. (Including in the control).
(Figure 1)

