

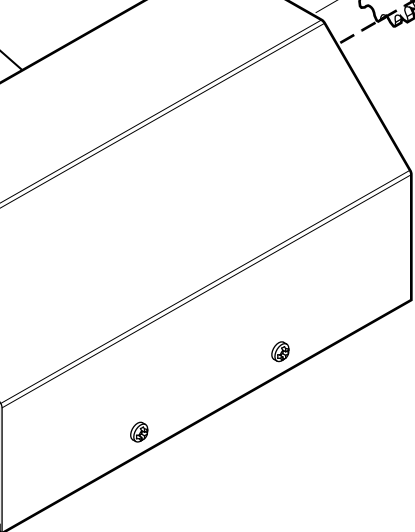
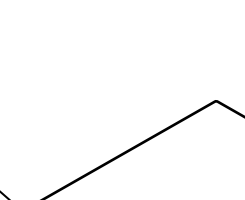
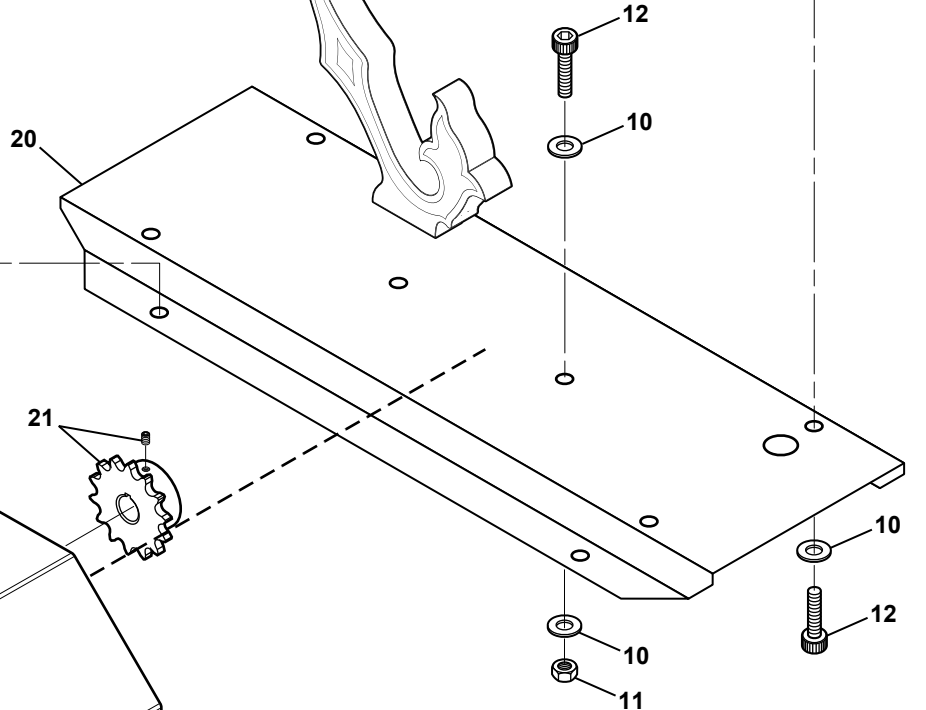
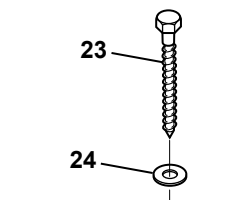
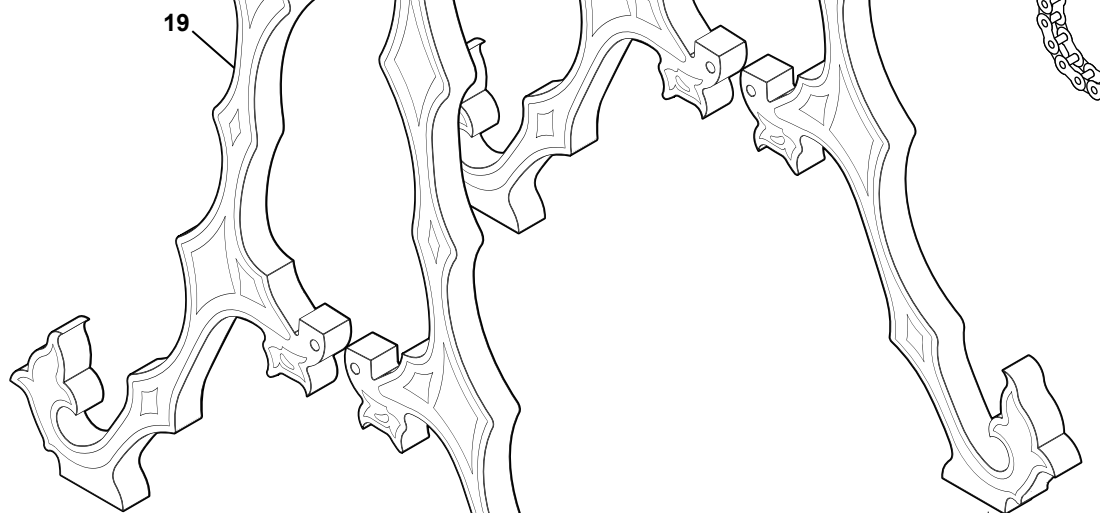
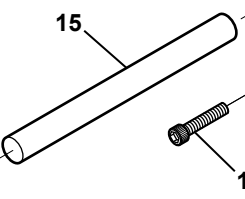
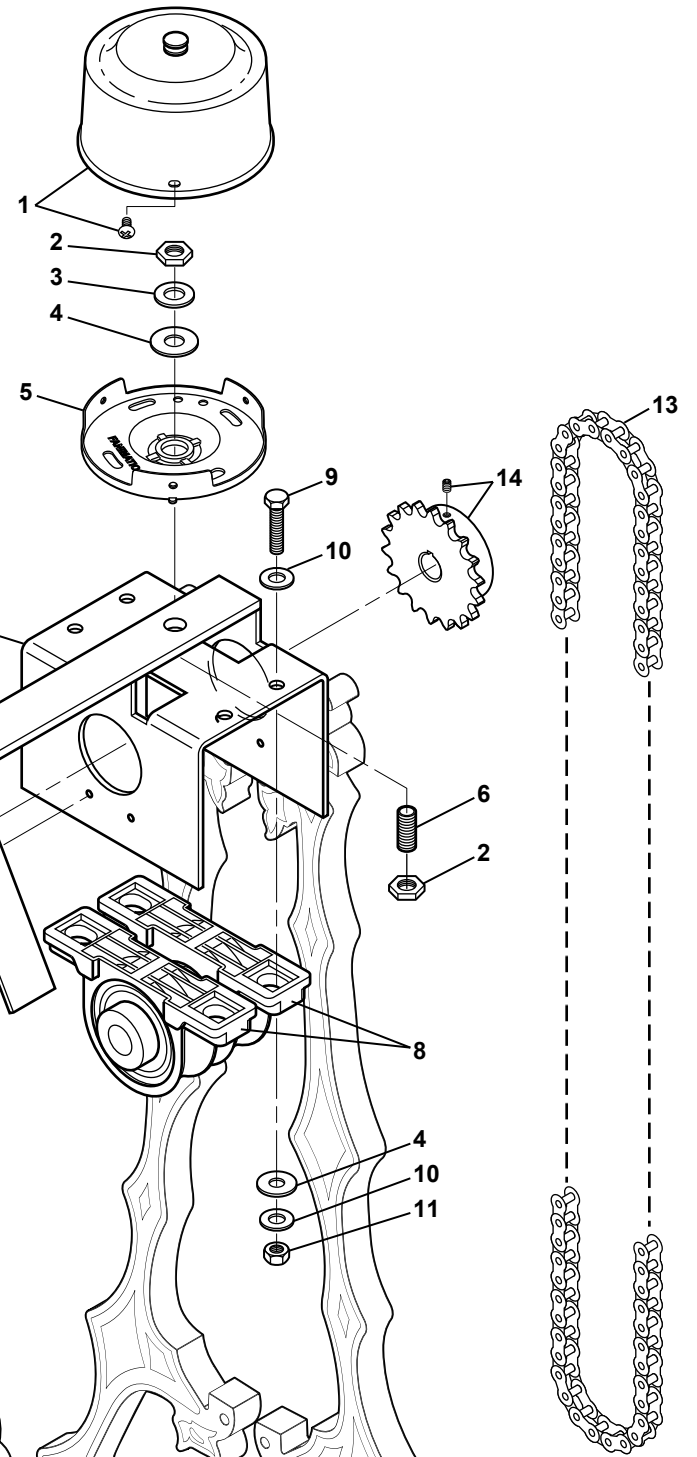
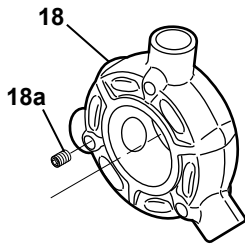
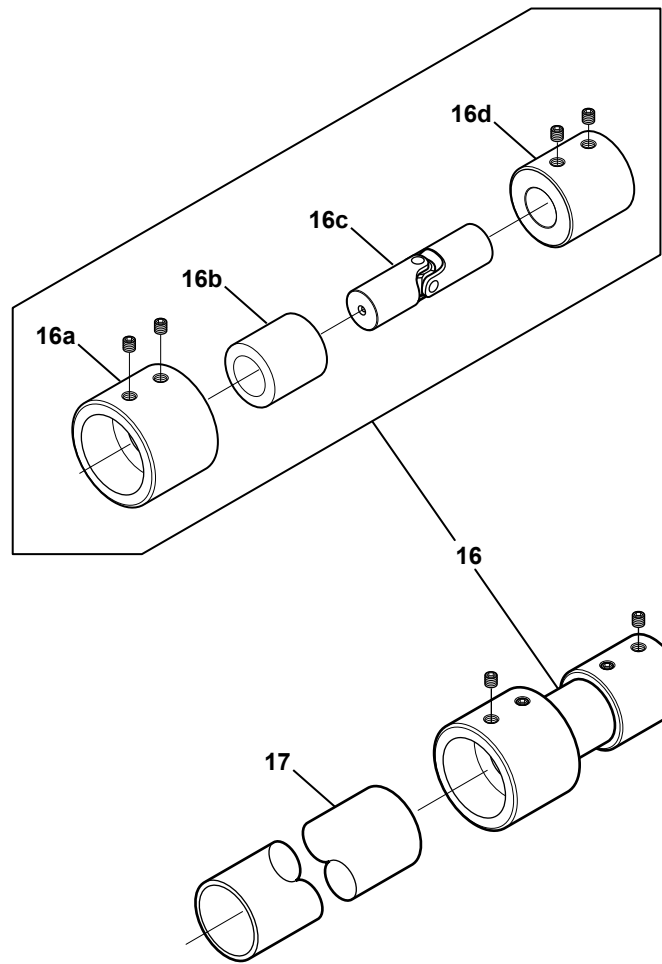
THE PALMETTO™ "MOTOR-END" P680M__

18 Hub

18a Set Screw, 1/4-20 x 1/4

1 P606*_

4 FASET104



Ref No.	Description	Qty	Part #
1	Switch Cap	1	P8081*_
2	Nut	2	?
3	Flat Washer	1	?
4	Flat Washer, 5/16", Black	5	FAWASH722
5	Switch Cap Base	1	P850
6	Threaded Nipple, 1/8-27 x 3/4"	1	???
7	Bearing Support & Single Safety Strap	1	P614Single
8	Bearing, 1/2" Pillow Block	2	GR4X723
9	Hex Head Bolt, 1/4 - 20 x 1", Black	4	FAHEX312
10	Flat Washer, 1/4" Black	16	FAWASH716
11	Nut, Hex, 1/4-20, Black	6	FANUT810
12	Socket Cap Screw, 1/2-20 x 3/4"	6	FASOCK905
13	Chain	1	?
14	Gear, Sprocket, #35-1/2-18 teeth	1	6L803
15	Shaft, 1/2 x 6"	1	?
16	Combined Adapters	1	P608/610/UJ
16a	U-Joint, Large	1	P608MAC
16b	Rubber Cover ?	1	?
16c	Joint ?	1	?
16d	U-Joint, Small	1	P610MAC
17	Tube, 108" x 1-1/2"	1	108*_
18	Socket Cap Screw, 10-32 x 3/4"	4	FASOCK903
19	Support Leg	4	P604*_
20	Base	1	P602*_
21	Gear, Sprocket, #35-1/2-14 teeth	6	6L788
22	Single-Drive "Punkah" Motor	1	?
23	Hex, Lag, 5/16 x 2", Black	4	
24	Flat Washer, 5/16", Black	4	FAWASH718

* Finish Codes; AB-Antique Brass, BL-Black, CR-Cream, WH-White

NOTE: The illustration shown is not to scale or its actual configuration may vary, the wires are removed for parts clarity