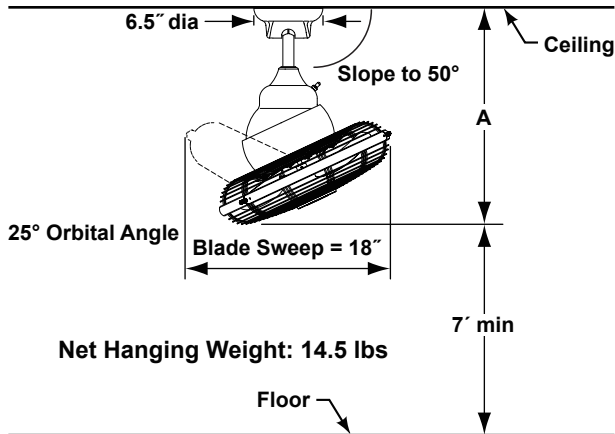


EXTRAORDINAIRE®

OF110** Orbital Ceiling Fan



	A
Fan w/6" downrod	20.75"
Fan w/12" downrod	26.75"
Fan w/18" downrod	32.75"
Fan w/24" downrod	38.75"
Fan w/36" downrod	50.75"
Fan w/48" downrod	62.75"
Fan w/60" downrod	74.75"
Fan w/72" downrod	86.75"

Available Finish

BL	Black with Black Cage
OB	Oil-rubbed bronze with Black Cage
SN	Satin nickel with Black Cage

INSTALLATION REQUIREMENTS:

Fan must be attached to a securely anchored electrical junction box capable of withstanding a load of at least 35 lbs.

ELECTRICAL REQUIREMENTS:

Requires a grounded electrical supply line of 120 volts AC, 60 Hz, 15 amp circuit.

MOTOR SPECS:

82 x 25 AC motor is designed for optimal performance with this fan. 220VAC, 50 Hz export version available.

FAN SPEEDS:

3 fan speeds with rotary switch (on top of motor).
High—1,490 rpm; Med—1,310 rpm; Low—950 rpm

CONTROL OPTIONS:

CW110WH 3-speed fan-only wall control is included. The reverse switch is located on the motor assembly. Optional RC110WH hand-held remote control with wall mount is available—sold separately. Instructions are provided with each control.

DOWNROD OPTIONS:

Fan comes with a 1" dia. x 6" long downrod (DR1-6). Optional downrods available in 12", 18", 24", 36", 48", 60" and 72" lengths. A downrod coupler is available for installations requiring a downrod longer than 72". Fan can be mounted on a sloped ceiling up to 50°. Most sloped ceiling installations require a downrod longer than the standard 6" downrod. Call technical support for more information.

LOCATION USE:

Fan is rated for dry and damp locations.

Airflow / Energy Efficiency Info (120V)

Fan Speed	Max RPM	CFM	CFM / Watts	Amps	Watts
High	1490	847	10	0.81	85
Med	1310	769	11	0.74	69
Low	950	467	10	0.66	47