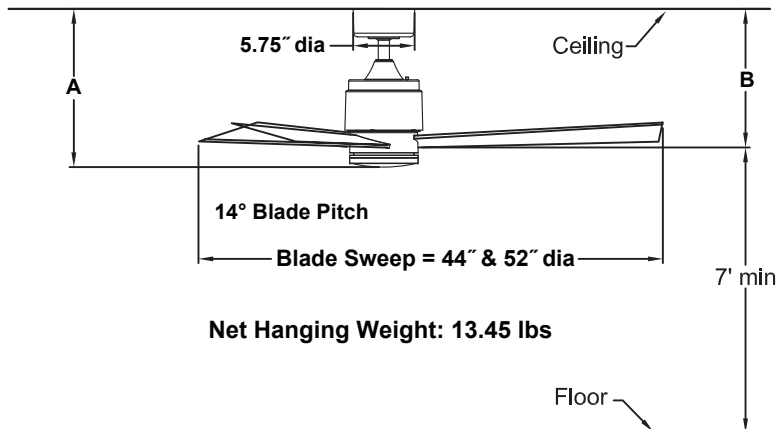
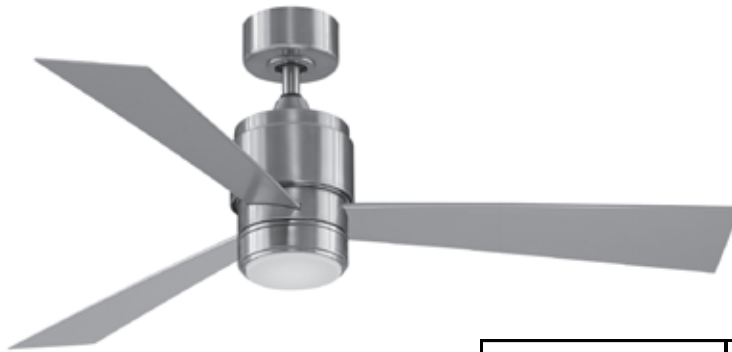


Zonix™ Wet Custom

MA4660SSBNW Stainless Steel Ceiling Fan



	A	B
Fan w/4.5" downrod	14.55"	13.05"
Fan w/12" downrod	22.05"	20.55"
Fan w/18" downrod	28.05"	26.55"
Fan w/24" downrod	34.05"	32.55"
Fan w/36" downrod	46.05"	44.55"
Fan w/48" downrod	58.05"	56.55"
Fan w/60" downrod	70.05"	68.55"
Fan w/72" downrod	82.05"	80.55"

Available Finishes

SSBNW	Brushed Nickel
-------	----------------

INSTALLATION REQUIREMENTS:

Ceiling fan attaches to electrical junction box securely anchored and capable of withstanding a load of at least 35 lbs.

ELECTRICAL REQUIREMENTS:

Ceiling fan requires a grounded electrical supply line of 120 volts AC, 60 Hz, 15 amp circuit.

MOTOR SPECS:

153 x 18 AC motor is designed for optimal performance with this fan.

BLADE SETS OPTIONS:

A set of three 20" and 24" all weather composite blades—sold separately

LIGHTING OPTIONS:

LK4660SSBNW – One 18 watt dimmable LED—sold separately.

CONTROL OPTIONS:

TR500 hand-held remote control is included. Push button remote control with variable fan speeds, infinite light levels, fan/light timer and off button. Optional WC1WH, WC2WH, WR500WH, WR501WH and CWRL4 wall controls, BTR9 and CRL4WH hand held remote controls, BTR9 receiver unit and WFR50 receiver unit are available—sold separately. Instructions are provided with each control.

DOWNROD OPTIONS:

Fan comes with 1" dia. x 4.5" long wet-location downrod (DR1SS-4.5SSBNW). Optional wet-location downrods are available in 12", 18", 24", 36", 48", 60", and 72" lengths. A downrod coupler is available for installations requiring a downrod longer than 72". Fan can be mounted on a sloped ceiling up to 27°. Most sloped ceiling installations require a downrod longer than the standard 18" downrod. Optional sloped ceiling ball kits (SCB1-52) are available for slope angles greater than 27° and up to 42°. Call technical support for more information.

LOCATION USE:

Fan is rated for dry, damp and wet locations.

Airflow / Energy Efficiency Info (120V)					
Measured with BPW4660-52 Blade in 52" sweep					
Fan Speed	Max RPM	CFM	CFM / Watts	Amps	Watts
High	159	4797	90	0.44	53
Med	107	3306	116	0.37	28
Low	74	2080	165	0.22	13

Energy Guide FTC			
Measured with BPW4660-44 Blade in 44" sweep			
Power (W _{ave})	Total Air Delivery (CFM _{ave})	Estimated Yearly Energy Cost (\$)	Ceiling Fan Efficiency (CFM/W)
33	3179	9	96

Energy Guide FTC			
Measured with BPW4660-52 Blade in 52" sweep			
Power (W _{ave})	Total Air Delivery (CFM _{ave})	Estimated Yearly Energy Cost (\$)	Ceiling Fan Efficiency (CFM/W)
35	3524	10	100