

# HP120 Hanging Pendant Light Fixture Instructions Sheet

## Electrical Requirements

Your new light fixture will require a grounded electrical supply line of 120 volts AC, 60 Hz, 15 amp circuit.

## CAUTION

Do not install or use fixture if any part is damaged or missing. This product is designed to use only those parts supplied with this product and/or any accessories designated specifically for use with this product by Fanimation. Substitution of parts or accessories not designated for use with this product by Fanimation could result in personal injury or property damage. Contact your retail store for missing or damaged parts.

## Parts List

Item #	Description	Qty.	Part #
1	Light Fixture	1	HP120
	Support, 1-foot section	3	
	Base, Support	1	
2	Hardware Parts, <i>contains</i>	1	HDWSF120
	Crossbar w/ Gnd Screw	1	
	Screw, junction box	2	
	Rod, Threaded	2	
	Hex Nut	1	
	Knurled Nut	2	
	Lockwasher	2	
	Wire Connector	2	

## How To Order Parts

When ordering repair parts, always give the following information:

- Part Number
- Part Description
- Fan Model Number

Contact your retail store for repair parts.

## Maintainance Requirements

Periodic light dusting of the light fixture and glass is recommended. A feather duster will work best. Avoid using water, cleansers, or harsh rags, which can ruin the finish and fixture.



HP120AB with G239 (sold seperately)

1. Before discarding packing materials, be certain all parts have been removed.



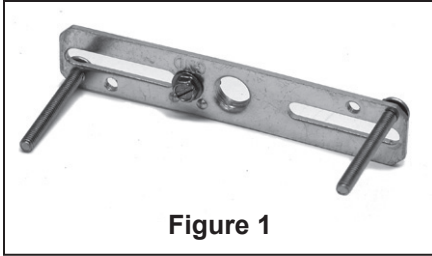
1

2



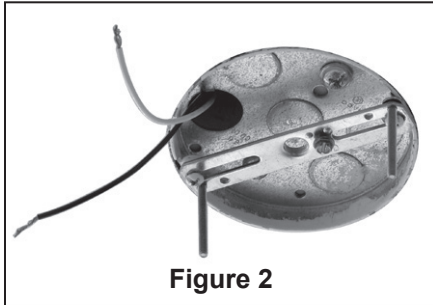
**NOTE:** The illustration shown is not to scale or its actual configuration may vary





**Figure 1**

1. Assemble two (provided) Threaded Rods on the Crossbar. (Figure 1)



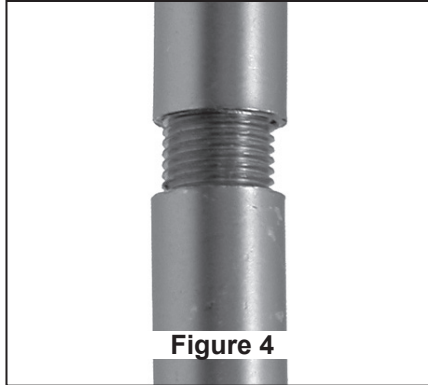
**Figure 2**

2. Mount assembled Crossbar to junction box with screws (provided with your junction box) (Figure 2).



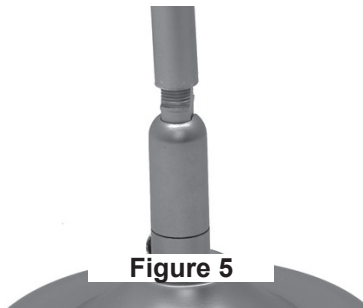
**Figure 3**

3. Carefully screw 1-foot tube section onto the light fixture while suspending the assembly upside down to prevent wires from binding and twisting within the support tube, do not over tighten. (Figure 3)



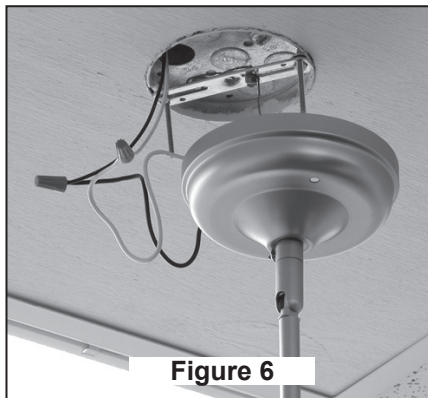
**Figure 4**

4. Assemble other two 1-foot support tube sections. (Figure 4)



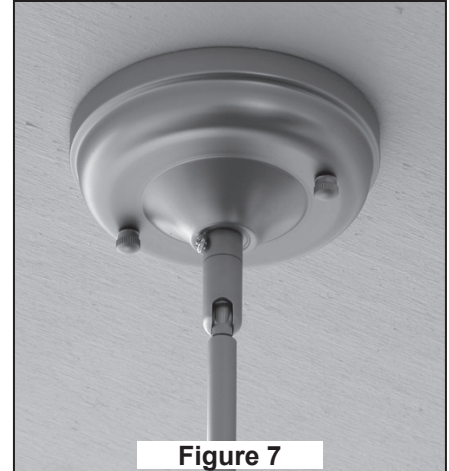
**Figure 5**

5. Assemble the base assembly. (Figure 5)



**Figure 6**

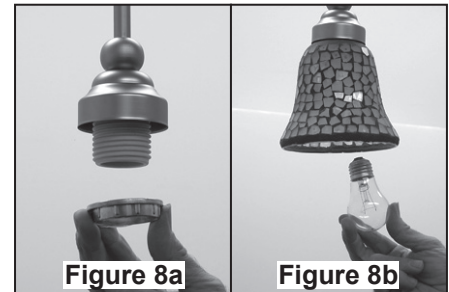
6. Securely connect the bare copper (Ground) wire to the (hex-head) screw located on the Crossbar. Securely connect the white lamp wire to the white supply (neutral) wire using wire nut supplied. Securely connect the black lamp wire to the black supply (hot) wire using wire nut supplied. (Figure 9)



**Figure 7**

7. After connections have been made, carefully push leads into the outlet box. Carefully fasten the Fixture over the Threaded Rods with the Lockwashers and Knurled Nuts provided. (Figure 7)

**NOTE:** Be sure that the electrical wires are completely inside the junction box and not pinched between the fixture and the ceiling.



**Figure 8a**

**Figure 8b**

8. Install 2 1/4" glass (sold separately) with "glass nut". (Figure 8a) Install 100 watt max light bulb (not included). (Figure 8b)

9. You have now completed the assembly of your Hanging Pendant lighting fixture. Restore power and operate your light fixture with your standard on/off light switch.

