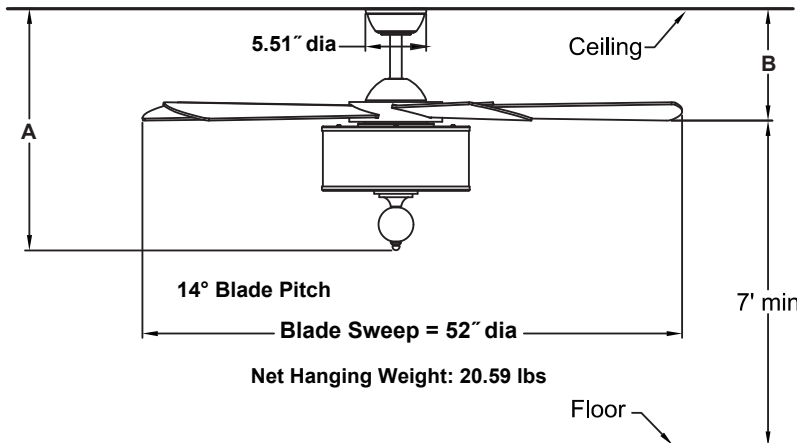


VICTORIA HARBOR™

LP8242SLCH
52" Ceiling Fan
Lowes Item #581597



	A	B
Fan w/ 6" downrod	22.04"	10.22"
Fan w/12" downrod	28.04"	16.22"
Fan w/18" downrod	34.04"	22.22"
Fan w/24" downrod	40.04"	28.22"
Fan w/36" downrod	52.04"	40.22"
Fan w/48" downrod	64.04"	52.22"
Fan w/60" downrod	76.04"	64.22"
Fan w/72" downrod	88.04"	76.22"

INSTALLATION REQUIREMENTS:

Fan must be attached to a securely anchored electrical junction box capable of withstanding a load of at least 35 lbs.

ELECTRICAL REQUIREMENTS:

Requires a grounded electrical supply line of 120 volts AC, 60 Hz, 15 amp circuit.

MOTOR SPECS:

172 x 17 AC motor is designed for optimal performance with this fan.

BLADES:

A set of five 24" reversible plywood blades is included.

CONTROL OPTIONS:

TR400S hand-held remote control is included. Push button remote control has 3 fan speeds, infinite light levels, fan/light timer and off button. The reverse switch is located on the top housing. Optional CW1SW, CW2, CWRL4 and CW60WH wall controls and BTR9, C4, CRL8TS and CRL4WH hand-held remote controls with receiver unit and BTR9 receiver unit are available—sold separately. Instructions are provided with each control.

LIGHTING OPTIONS:

Three 40-watt candelabra light bulbs included.

DOWNROD OPTIONS:

Fan comes with a 1" dia. x 6" long downrod (DRT1-6). Optional downrods are available in 12", 18", 24", 36", 48", 60" and 72" lengths. For installations requiring a longer downrod, a downrod coupler is available. Fan can be mounted on a sloped ceiling up to 19°. Optional close-to-ceiling kit is available as well—sold separately. Optional sloped ceiling kits (SCK1-52) are available for up to 42°. Call technical support for more information.

LOCATION USE:

Fan is rated for dry location only.

Available Finishes

Fan / Housing Assembly		Blades
CH	Chrome	Black / Dark Walnut with Ivory Fabric Shade

Airflow / Energy Efficiency Info (120V)

Fan Speed	Max RPM	CFM	CFM / Watts	Amps	Watts
High	170	5910	88	0.58	67
Med	120	4320	123	0.50	35
Low	69	2395	200	0.32	12

Energy Guide FTC

Power (W _{ave})	Total Air Delivery (CFM _{ave})	Estimated Yearly Energy Cost (\$)	Ceiling Fan Efficiency (CFM/W)
45	3653	12	87

Light Bulb Information (120V)

Bulb Type	Watts	QTY	Lumens Amount	Color Temp	CRI
candelabra	40	3	1050	2300	100%