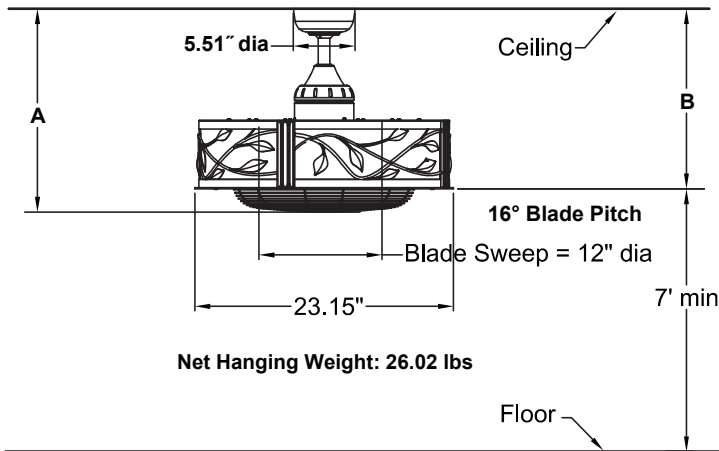


EASTVIEW™

LP8074SLAZ
23" Ceiling Fan
Lowes Item #581596



	A	B
Fan w/4.5" downrod	18.13"	15.02"
Fan w/12" downrod	25.63"	22.52"
Fan w/18" downrod	31.63"	28.52"
Fan w/24" downrod	37.63"	34.52"
Fan w/36" downrod	49.63"	46.52"
Fan w/48" downrod	61.63"	58.52"
Fan w/60" downrod	73.63"	70.52"
Fan w/72" downrod	85.63"	82.52"

INSTALLATION REQUIREMENTS:

Fan must be attached to a securely anchored electrical junction box capable of withstanding a load of at least 35 lbs.

ELECTRICAL REQUIREMENTS:

Requires a grounded electrical supply line of 120 volts AC, 60 Hz, 15 amp circuit.

MOTOR SPECS:

82 x 25 AC motor is designed for optimal performance with this fan.

BLADES:

A three pieces of 12" OD steel blade included.

CONTROL OPTIONS:

TR400S hand-held remote control is included. Push button remote control has 3 fan speeds, infinite light levels, fan/light timer and off button. The reverse switch is located on the top housing. Optional CW1SW, CW2, CWRL4 and CW60WH wall controls and BTR9, C4, CRL8TS and CRL4WH hand-held remote controls with receiver unit and BTR9 receiver unit are available—sold separately. Instructions are provided with each control.

LIGHTING OPTIONS:

Four 40-watt candelabra light bulbs included.

DOWNROD OPTIONS:

Fan comes with a 1" Dia. x 4.5" downrod (DRT1-45). Optional downrods are available in 12", 18", 24", 36", 48", 60" and 72". For installations requiring a longer downrod, a downrod coupler is available. Fan can be mounted on a sloped ceiling up to 19°. Optional close-to-ceiling kit is available as well—sold separately. Optional sloped ceiling kits (SCK1-52) are available for up to 42°. Call technical support for more information.

LOCATION USE:

Fan is rated for dry location only.

Available Finishes

AZ	Aged Bronze with Cream Shade
----	------------------------------

Airflow / Energy Efficiency Info (120V)

Fan Speed	Max RPM	CFM	CFM / Watts	Amps	Watts
High	1652	934	17	0.47	56
Med	1255	694	26	0.29	27
Low	856	427	25	0.29	17

Energy Guide FTC

Power (W _{ave})	Total Air Delivery (CFM _{ave})	Estimated Yearly Energy Cost (\$)	Ceiling Fan Efficiency (CFM/W)
39	949	11	24

Light Bulb Information (120V)

Bulb Type	Watts	QTY	Lumens Amount	Color Temp	CRI
candelabra	40	4	1400	2300	100%