

# LK4640B\*\* Down Light Kit Installation Instructions

## READ AND SAVE THESE INSTRUCTIONS

Weight: 1.67 lbs (0.76 kgs)

**NOTE:** Installation shall be in accordance with the National Electrical Code, ANSI/NFPA 70 and local codes.

**WARNING:** To reduce the risk of fire or electric shock, do not use this fan/light kit with any solid-state speed control device.

**WARNING:** To reduce the risk of fire or electric shock, or injury to persons, unplug or disconnect the appliance from the power supply before cleaning, user maintenance and servicing.

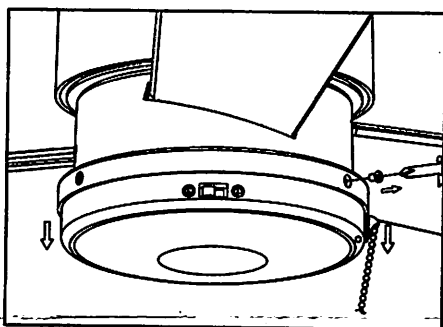
**CAUTION:** To Reduce The Risk Of Fire And Electric Shock, This Light Kit Should Be Used Only With Fan Model Listed Below: Model FP4640B\*\*, Manufactured by Company Fanimation Inc..

### ▲ WARNING

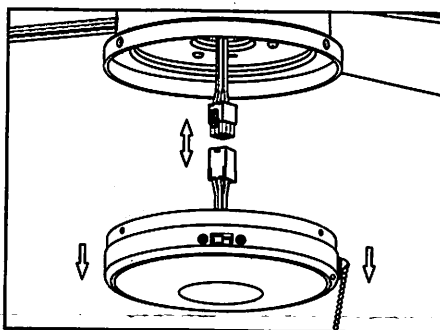
To reduce the risk of fire, use 18-watt max. type Dimmable LED. The light source is designed for this specific application and can overheat if serviced by untrained personnel. If any servicing is required, the product should be returned to an authorized service facility for examination or repair.

### CAUTION

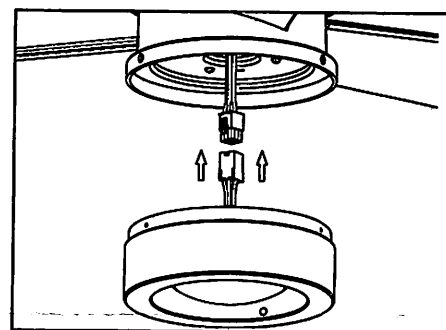
Turning off wall switch is not sufficient. To reduce the risk of fire and electrical shock, be sure electricity is turned off at the main fuse box to the fan before installing the accessory.



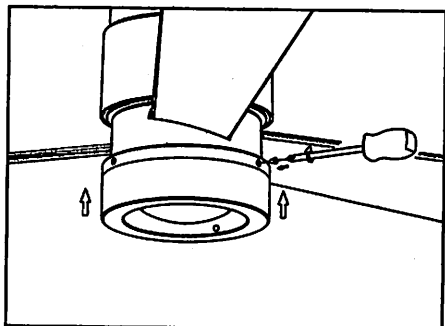
1. Remove screws securing switch cup to fan and retain for reinstallation.



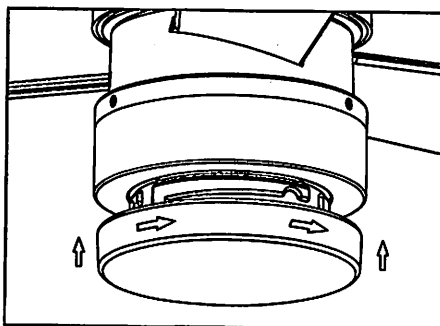
2. Unplug the 9-pin connector from motor assembly and switch cup housing.



3. Securely attach 9-pin connector from motor assembly to wiring harness socket within light kit assembly.  
*Note: The color labels on these two connectors must correspond to each other.*



4. Assemble the light kit assembly onto the motor assembly using the previously removed screws.



5. Secure the glass to light kit assembly by twisting in a clockwise direction. Do not over-tighten.

### ▲ WARNING

To avoid possible fire or shock, make sure that the electrical wires are completely inside the fan housing and not pinched between the switch cup housing and the switch cup flange.



**FANIMATION**<sup>®</sup>  
SHOWROOM COLLECTION

10983 Bennett Parkway  
Zionsville, IN 46077  
(888) 567-2055 • FAX (866) 482-5215  
Outside U.S. call (317) 733-4113  
Visit Our Website @ [www.fanimation.com](http://www.fanimation.com)

Copyright 2018 Fanimation  
2018/10 V.01