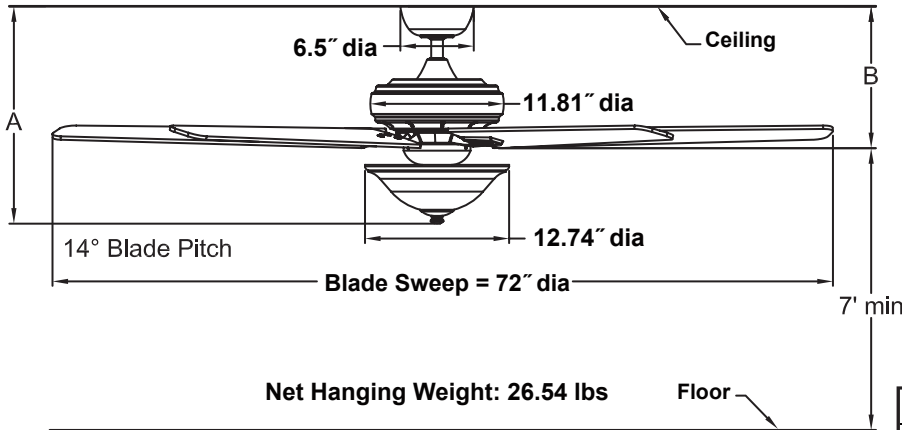


**KEISTONE™****FPD8089\*\*  
72" Ceiling Fan**

	A	B
Fan w/4.5" downrod	19.20"	12.60"
Fan w/12" downrod	26.70"	20.10"
Fan w/18" downrod	32.70"	26.10"
Fan w/24" downrod	38.70"	32.10"
Fan w/36" downrod	50.70"	44.10"
Fan w/48" downrod	62.70"	56.10"
Fan w/60" downrod	74.70"	68.10"
Fan w/72" downrod	86.70"	80.10"

**Available Finishes**

Fan / Housing Assembly		Blades - Traditional
BA	Bronze Accent	Cherry / Walnut with Amber Linen Glass
PW	Pewter	Cherry / Walnut with White Linen Glass

**INSTALLATION REQUIREMENTS:**

Fan must be attached to a securely anchored electrical junction box capable of withstanding a load of at least 50 lbs.

**ELECTRICAL REQUIREMENTS:**

Requires a grounded electrical supply line of 120 volts AC, 60 Hz, 15 amp circuit.

**MOTOR SPECS:**

DC-165M DC motor is designed for optimal performance with this fan.

**BLADES:**

A set of five 31" reversible traditional wood blades is included.

**CONTROL OPTIONS:**

TR39 hand-held DC fan remote control is included. Push button remote control has 6 fan speeds, infinite light levels, reverse and off button. Optional TW40 wall control is available—sold separately. Instructions are provided with each control.

**LIGHTING OPTIONS:**

Two 75-watt halogen minican bulbs included. See our catalog or visit [www.fanimation.com](http://www.fanimation.com) for available lighting options.

**DOWNROD OPTIONS:**

Fan comes with 1" dia. x 4.5" long downrod. Optional downrods available in 12", 18", 24", 36", 48", 60", and 72" lengths. A downrod coupler is available for installations requiring a downrod longer than 72". Fan can be mounted on a sloped ceiling up to 30°. Optional sloped ceiling ball kits (SCB1-52) are available for up to 52°. Call your local dealer for more information.

**LOCATION USE:**

Fan is rated for dry locations only.

**Airflow / Energy Efficiency Info (120V)**

Fan Speed	Max RPM	CFM	CFM / Watts	Amps	Watts
I	52	4483	924	0.13	4.9
II	63	5382	691	0.17	7.8
III	74	6411	581	0.23	11.0
IV	85	7213	455	0.30	15.9
V	97	8055	374	0.38	21.6
VI	108	8895	304	0.47	29.3