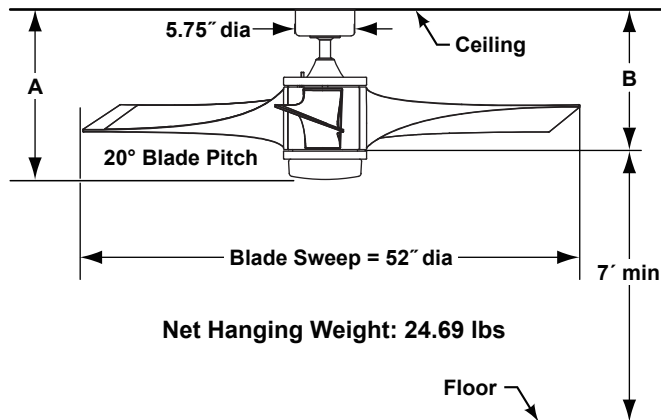


**JENNIX™****FPD7943\*\*  
Ceiling Fan**

	A	B
Fan w/4.5" downrod	16.50"	13.43"
Fan w/12" downrod	24.00"	20.93"
Fan w/18" downrod	30.00"	26.93"
Fan w/24" downrod	36.00"	32.93"
Fan w/36" downrod	48.00"	44.93"
Fan w/48" downrod	60.00"	56.93"
Fan w/60" downrod	72.00"	68.93"
Fan w/72" downrod	84.00"	80.93"

**Available Finishes**

MG	Metro Gray with Opal Frosted Glass and Steel Cap
OB	Oil-rubbed Bronze with Opal Frosted Glass and Steel Cap

**INSTALLATION REQUIREMENTS:**

Ceiling fan attaches to electrical junction box securely anchored and capable of withstanding a load of at least 50 lbs.

**ELECTRICAL REQUIREMENTS:**

Ceiling fan requires a grounded electrical supply line of 120 volts AC, 60 Hz, 15 amp circuit.

**MOTOR SPECS:**

DC-125S DC motor is designed for optimal performance with this fan.

**BLADE SETS:**

A set of three 22" composite blades is included.

**CONTROL OPTIONS:**

TR39 hand-held DC fan remote control is included. Push button remote control has 6 fan speeds, infinite light levels, reverse and off button. Optional TW40 wall control is available—sold separately. Instructions are provided with each control.

**LIGHTING OPTIONS:**

One bulb (100-watt halogen minican bulb -included) downlight fixture is included with this fan assembly. Maximum downlight wattage not to exceed 100 watts.

**DOWNROD OPTIONS:**

Fan comes with 1" dia. x 4.5" long downrod (DR1-45). Optional downrods available in 12", 18", 24", 36", 48", 60", and 72" lengths. A downrod coupler is available for installations requiring a downrod longer than 72". Fan can be mounted on a sloped ceiling upto 30°. Most sloped ceiling installations require a downrod longer than the standard 6" downrod. Optional sloped ceiling ball kits (SCB1-52) are available for slope angles greater than 30° and up to 52°. Call technical support for more information.

**LOCATION USE:**

Fan is rated for dry and damp locations.

**Airflow / Energy Efficiency Info (120V)**

Fan Speed	Max RPM	CFM	CFM / Watts	Amps	Watts
I	51	2572	514	0.08	5
II	64	3315	414	0.12	8
III	77	3690	335	0.16	11
IV	88	4380	274	0.22	16
V	101	4705	224	0.28	21
VI	115	5239	178	0.38	30