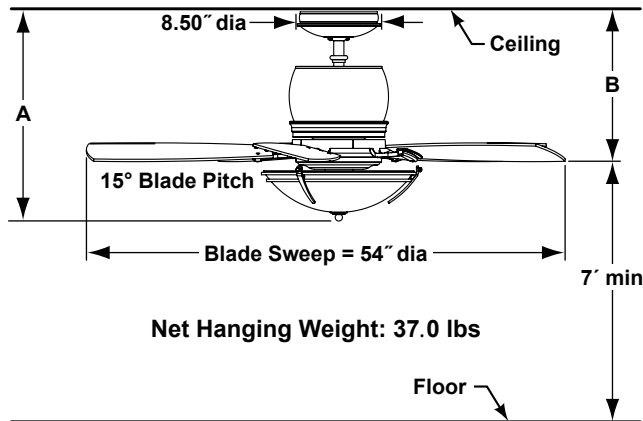


HUBBARDTON FORGE® SERIES

HF7600DS Presidio Tryne™ Fan



INSTALLATION REQUIREMENTS:

Fan must be attached to a securely anchored electrical junction box capable of withstanding a load of at least 50 lbs.

ELECTRICAL REQUIREMENTS:

Requires a grounded electrical supply line of 120 volts AC, 60 Hz, 15 amp circuit.

MOTOR SPECS:

188 x 25 motor is designed for optimal performance with this fan.

BLADES:

A set of five coffee slate wood blades is included.

CONTROL OPTIONS:

TR22WH hand-held remote control with wall mount is included. Optional C23 wall control is available—sold separately. Push button remote control has 3 fan speeds, reverse, off button and infinitely-varying uplight and downlight controls. Instructions are provided with each control.

LIGHTING OPTIONS:

Decorative uplight kit with three 25-watt candelabra bulbs and Presidio Tryne™ downlight kit with three 40-watt candelabra bulbs are included. Maximum uplight wattage is not to exceed 75 watts and maximum downlight wattage is not to exceed 120 watts.

DOWNROD OPTIONS:

Fan comes with a 1" dia. x 6" long downrod (DR1-6). Optional downrods available in 12", 18", 24", 36", 48", 60" and 72" lengths. Fan can be mounted on a sloped ceiling up to 30°. Most sloped ceiling installations require a downrod longer than the standard 6" downrod. Optional sloped ceiling ball kits (SCB1-52) are available for slope angles greater than 30° and up to 52°. Optional close-to-ceiling kit is available as well—sold separately. Call technical support for more information.

LOCATION USE:

Fan is dry location rated only. Damp location rated when used with optional all-weather composite blade set (BPW21CF).

	A	B
Fan w/6" downrod	21.45"	15.35"
Fan w/12" downrod	27.45"	21.35"
Fan w/18" downrod	33.45"	27.35"
Fan w/24" downrod	39.45"	33.35"
Fan w/36" downrod	51.45"	45.35"
Fan w/48" downrod	63.45"	57.35"
Fan w/60" downrod	75.45"	69.35"
Fan w/72" downrod	87.45"	81.35"

Available Finish

Model	Fan Finish	Blade Finish	Glass
HF7600DS	Dark Smoke	Slate	Opal

Airflow / Energy Efficiency Info (120V)

Fan Speed	Max RPM	CFM	CFM / Watts	Amps	Watts
High	163	5784	81	0.61	72
Med	102	3470	109	0.39	32
Low	64	2052	136	0.26	15

All Hubbardton Forge designs, the mark HUBBARDTON FORGE and the design of the tongs are trademarks or registered trademarks of Hubbardton Forge Corporation.

HUBBARDTON FORGE®

FANIMATION®