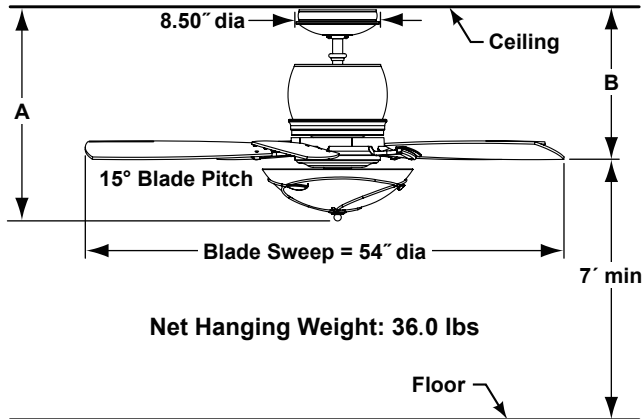


# HUBBARDTON FORGE® SERIES

## HF7200BZ Leaf Fan



### INSTALLATION REQUIREMENTS:

Fan must be attached to a securely anchored electrical junction box capable of withstanding a load of at least 50 lbs.

### ELECTRICAL REQUIREMENTS:

Requires a grounded electrical supply line of 120 volts AC, 60 Hz, 15 amp circuit.

### MOTOR SPECS:

188 x 25 motor is designed for optimal performance with this fan.

### BLADES:

A set of five coffee finish wood blades is included.

### CONTROL OPTIONS:

TR22WH hand-held remote control with wall mount is included. Optional C23 wall control is available—sold separately. Push button remote control has 3 fan speeds, reverse, off button and infinitely-varying upright and downlight controls. Instructions are provided with each control.

### LIGHTING OPTIONS:

Decorative uplight kit with three 25-watt candelabra bulbs and Leaf downlight kit with three 40-watt candelabra bulbs are included. Maximum uplight wattage is not to exceed 75 watts and maximum downlight wattage is not to exceed 120 watts.

### DOWNROD OPTIONS:

Fan comes with a 1" dia. x 6" long downrod (DR1-6). Optional downrods available in 12", 18", 24", 36", 48", 60" and 72" lengths. Fan can be mounted on a sloped ceiling up to 30°. Most sloped ceiling installations require a downrod longer than the standard 6" downrod. Optional sloped ceiling ball kits (SCB1-52) are available for slope angles greater than 30° and up to 52°. Optional close-to-ceiling kit is available as well—sold separately. Call technical support for more information.

### LOCATION USE:

Fan is dry location rated only. Damp location rated when used with optional all-weather composite blade set (BPW21CF).

	A	B
Fan w/6" downrod	21.64"	15.35"
Fan w/12" downrod	27.64"	21.35"
Fan w/18" downrod	33.64"	27.35"
Fan w/24" downrod	39.64"	33.35"
Fan w/36" downrod	51.64"	45.35"
Fan w/48" downrod	63.64"	57.35"
Fan w/60" downrod	75.64"	69.35"
Fan w/72" downrod	87.64"	81.35"

### Available Finish

Model	Fan Finish	Blade Finish	Glass
HF7200BZ	Bronze	Coffee	Stone

### Airflow / Energy Efficiency Info (120V)

Fan Speed	Max RPM	CFM	CFM / Watts	Amps	Watts
High	163	5784	81	0.61	72
Med	102	3470	109	0.39	32
Low	64	2052	136	0.26	15