

---

# The FARGO™ Fan

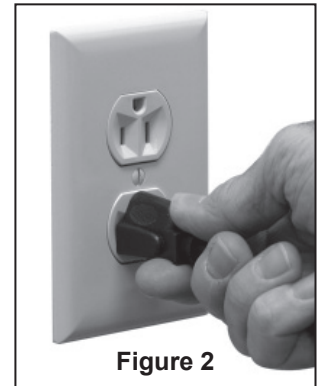
## Set-Up and Maintenance Instructions Sheet



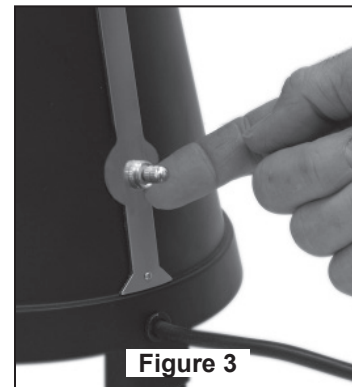
### Set Up:



1. Carefully remove from package.



2. Plug directly into the socket.



3. Select the desired airflow, located on back of fan base by rotating switch clockwise

### ELECTRICAL REQUIREMENTS

Table fan requires a grounded electrical supply line of 120 volts AC, 60 Hz, 15 amp circuit. 8 ft power cord included. **NOT** for Damp Location Use.

### ⚠ WARNING

To Avoid Fire Or Electrical Shock, Do **NOT** Use This Fan With Any Solid-State Speed Control Device And Do **NOT** Use By Open Window.

---

### Maintenance — To Clean Your Fan:

Periodic cleaning of your new fan is the only maintenance that is needed.

When cleaning, use only a soft brush or lint free cloth to avoid scratching the finish.

Abrasive cleaning agents are not required and should be avoided to prevent damage to finish.

### CAUTION

Do not use water when cleaning your fan. It could damage the motor or the finish and create the possibility of electrical shock.

---

## Maintenance (cont'd) — To Clean Your Fan Blade:

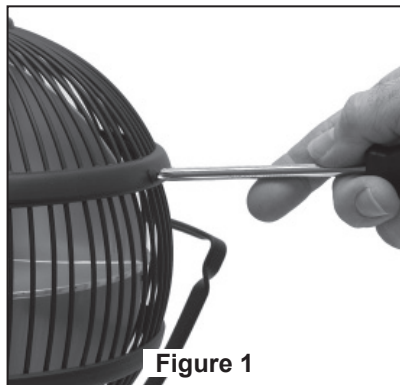


Figure 1

1. Carefully remove screws and top of cage.

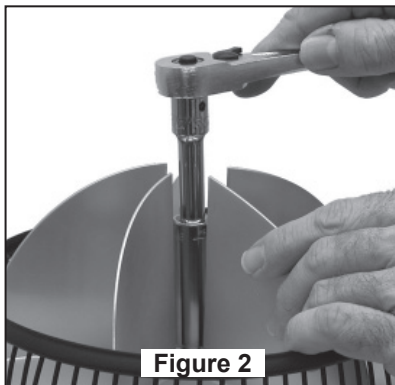


Figure 2

2. Carefully remove nut and blade. After cleaning and re-installing the blade, carefully install the nut, do NOT overtighten.

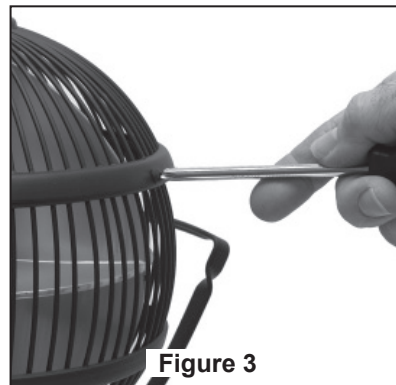
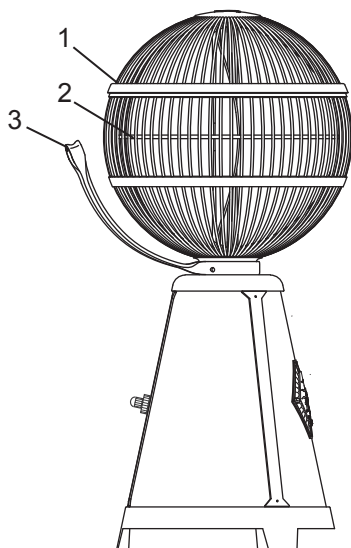


Figure 3

3. Assemble the top cage with the screws, do not overtighten.

## Service Parts:



Fargo™ Fan – Model #FP3320** (BG, BL, CL, CR, OB, or SN codes)		
Ref #	Description	Part #
1	Cage Set Assembly w/Screws	AP33211SER**
2	Blade	AP33215**
3	Handle	P33220**

### \*\* Insert Finish Codes (for service parts)

AB	Antique Brass – Cage Set Assembly, Handle
BB	Brushed Brass – Cage Set Assembly, Handle
BL	Black – Cage Set Assembly, Handle
CH	Chrome – Cage Set Assembly, Handle
OB	Oil-Rubbed Bronze – Blade
SN	Satin Nickel – Blade

Before discarding packaging materials, be certain all parts have been removed

### How To Order Parts

When ordering repair parts, always give the following information:

- Part Number
- Part Description
- Fan Model Number

Contact your retail store for repair parts.



10983 Bennett Parkway  
Zionsville, IN 46077  
(888) 567-2055  
FAX (866) 482-5215  
Outside U.S. call (317) 733-4113  
Visit Our Website [www.fanimation.com](http://www.fanimation.com)