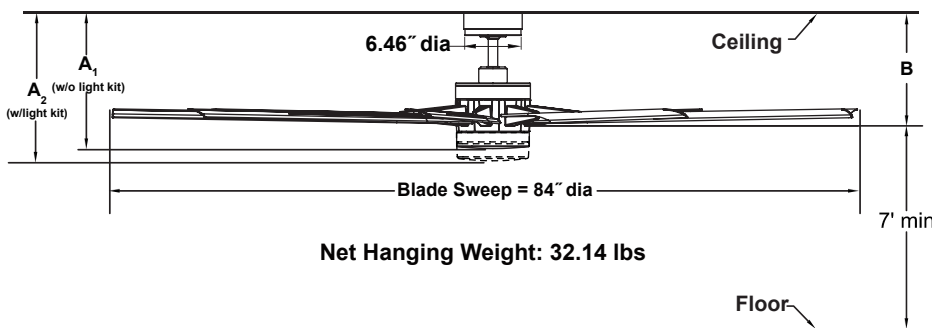
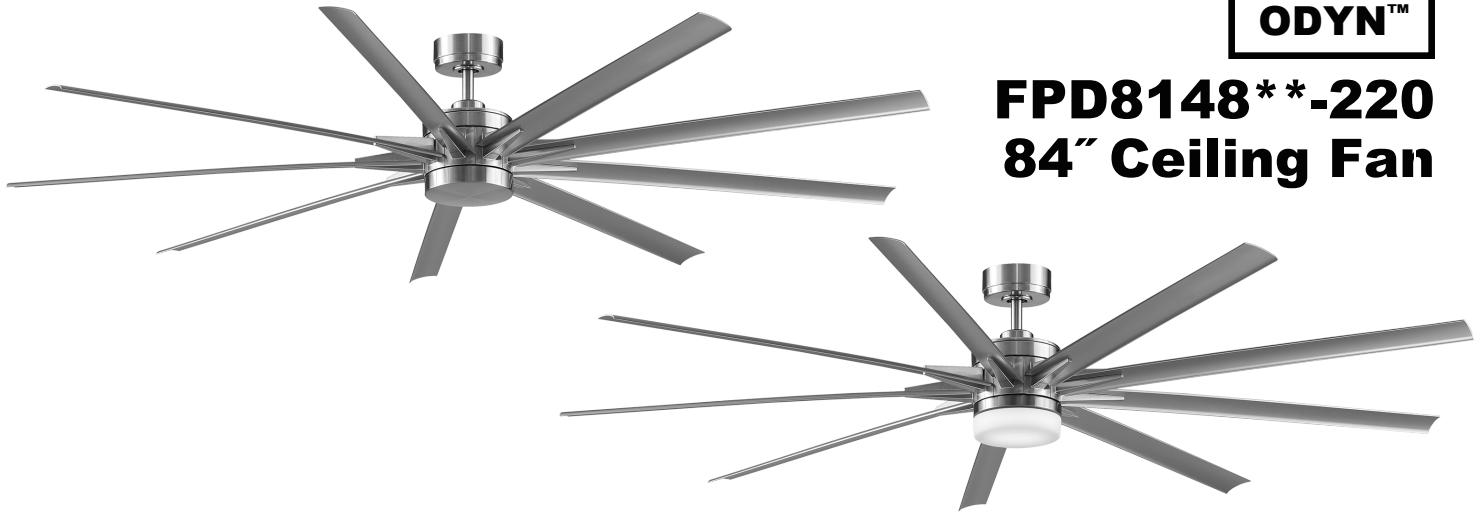


ODYN™

FPD8148**-220 84" Ceiling Fan



	A ₁	A ₂	B
Fan w/ 6" downrod	15.09"	16.43"	12.34"
Fan w/12" downrod	21.09"	22.43"	18.34"
Fan w/18" downrod	27.09"	28.43"	24.34"
Fan w/24" downrod	33.09"	34.43"	30.34"
Fan w/36" downrod	45.09"	46.43"	42.34"
Fan w/48" downrod	57.09"	58.43"	54.34"
Fan w/60" downrod	69.09"	70.43"	66.34"
Fan w/72" downrod	81.09"	82.43"	78.34"

INSTALLATION REQUIREMENTS:

Fan must be attached to a securely anchored electrical junction box capable of withstanding a load of at least 35 lbs.

ELECTRICAL REQUIREMENTS:

Requires a grounded electrical supply line of 220~240 volts AC, 50 Hz, 5 amp circuit.

MOTOR SPECS:

DC165L-220 motor is designed for optimal performance with this fan.

BLADES:

A set of nine 38" reversible composite blades is included.

CONTROL OPTIONS:

TR39ND-220 hand-held DC fan remote control is included. Push button remote control has 6 fan speeds, ON/OFF light levels, reverse and off button.

LIGHTING OPTIONS:

One 18-watt LED included.

DOWNROD OPTIONS:

Fan comes with a 1" dia. x 6" long downrod (DR1-6). Optional downrods are available in 12", 18", 24", 36", 48", 60" and 72" lengths. A downrod coupler is available for installations requiring a downrod longer than 72". The fan can be mounted on a sloped ceiling up to 27°. Optional sloped ceiling ball kits (SCB1-52) are available for slope angles greater than 27° and up to 42°. Call technical support for more information.

LOCATION USE:

Fan is rated for dry or damp locations.

Available Finishes

Fan / Housing Assembly		Blades
BN	Brushed Nickel	Brushed Nickel with Opal Frosted Glass
MW	Matte White	Matte White with Opal Frosted Glass

Light Bulb Information (220V)

Bulb Type	Watts	Lumens Amount	Color Temp	CRI
LED	18	1460	3000	80%

TUV / GS Efficiency Info (220V)

Fan Speed	Max RPM	Amps	Watts
High	61	0.46	32
5th	55	0.33	22
Med	49	0.23	15
3rd	42	0.16	10
2nd	36	0.11	7
Low	31	0.08	4