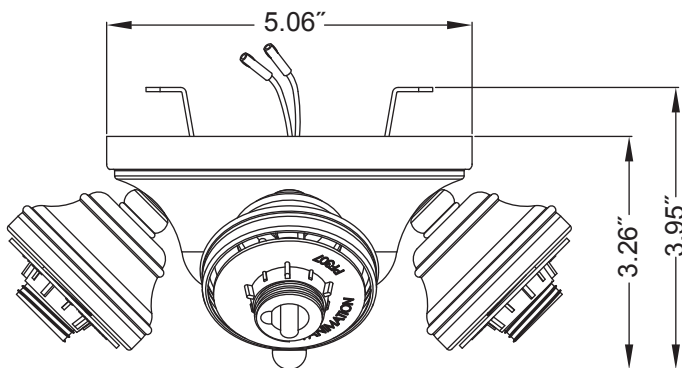


F4** Light Kit



Net Weight: 1.80 lbs

Available Finishes

BN	Brushed Nickel
DZ	Dark Bronze
MW	Matte White

Light Bulb Information (120V)

Bulb Socket	Bulb Type	Watts	QTY	Lumens Amount	Color Temp	CRI
E12	B10	40	4	1400	2700	—

INSTALLATION REQUIREMENTS:

Remove the cover-switch and inner-switch housing from fan and assemble the bracket-switch housing and install the light kit.

ELECTRICAL REQUIREMENTS:

Requires a grounded electrical supply line of 120 volts AC, 60 Hz, 15 amp circuit.

LIGHTING BULBS:

Four 40-watt B10 bulb included.

CONTROL:

TR205 or BTT9R hand-held remote control are included in the motor assembly unit.

GLASS OPTIONS:

Optional G4, G5 and G6 glass— sold separately.

LOCATION USE:

Light kit is rated for dry and damp locations.