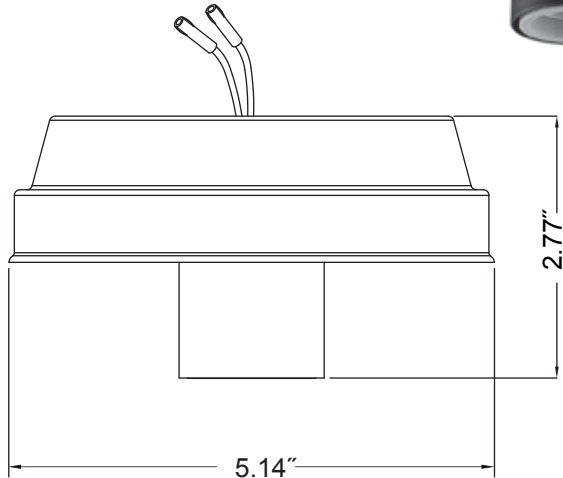


**F2\*\*  
Light Kit**



**Net Weight: 0.95 lbs**

**Net Weight: 0.91 lbs**

**INSTALLATION REQUIREMENTS:**

Remove the cover-switch and inner-switch housing from fan and install the light kit.

**ELECTRICAL REQUIREMENTS:**

Requires a grounded electrical supply line of 120 volts AC, 60 Hz, 15 amp circuit.

**LIGHTING BULBS:**

One 23-watt CFL bulb included.

**CONTROL:**

TR205 or BTT9R hand-held remote control are included in the motor assembly unit.

**GLASS OPTIONS:**

Optional G2 and G3 glass— sold separately.

**LOCATION USE:**

Light kit is rated for dry and damp locations.

Available Finishes	
BN	Brushed Nickel
DZ	Dark Bronze
MW	Matte White

Light Bulb Information (120V)						
Bulb Socket	Bulb Type	Watts	QTY	Lumens Amount	Color Temp	CRI
E27	CFL	23	1	1600	2700	80%