

# The Evanesce<sup>®</sup>

## Ceiling Fan



Suitable for use with Solid State Speed Controls

**WARNING:** Support Directly From Building Structure

Net Weight 75 lbs (33.5 kg)

**Model No. FP2700 Series**

**OWNER'S MANUAL**  
**READ AND SAVE THESE INSTRUCTIONS**



# Important Safety Instructions

**WARNING: To avoid fire, shock and serious personal injury, follow these instructions.**

1. Read your owner's manual and safety information before installing your new fan. Review the accompanying assembly diagrams.
2. Before servicing or cleaning unit, switch power off at service panel and lock service panel disconnecting means to prevent power from being switched on accidentally. When the service disconnecting means cannot be locked, securely fasten a warning device, such as a tag, to the service panel.
3. Be careful of the fan and blades when cleaning, painting, or working near the fan. Always turn off the power to the ceiling fan before servicing.
4. Do not insert anything into the fan blades while the fan is operating.

## Additional Safety Instructions

1. To avoid possible shock, be sure electricity is turned off at the fuse box before wiring, and do not operate fan without blades.
2. All wiring and installation procedures must satisfy National Electrical Codes (ANSI/ NFPA 70-1999). Use the National Electrical Code if Local Codes do not exist. The ceiling fan must be grounded as a precaution against possible electrical shock. Electrical installation should be made or approved by a licensed electrician.
3. The fan base must be securely mounted and capable of reliably supporting at least 100 lbs (45.36 kg). (fan and accessories not to exceed 35 lbs. or 16 kgs.). Outlet boxes are not acceptable for fan support. See page 4 of owner's manual for support requirements. Consult a qualified electrician if in doubt.
4. **CAUTION:** To reduce the risk of personal injury, mount the fan base to a ceiling joist or structural member using the hardware provided with your fan.

**WARNING:** Support Directly from Building Structure.

5. The fan must be mounted at least 7 feet from the floor to prevent accidental contact with the fan blades.
6. Follow the recommended instructions for the proper method of wiring your ceiling fan. If you do not have adequate electrical knowledge or experience, have your fan installed by licensed electrician.
7. Suitable for use with solid-state speed controls.

**WARNING:** To reduce the risk of fire or electric shock, this fan should only be used with Fan Speed Control Part No. UC7074R, manufactured by Rhine Electronic Co., Ltd.

**WARNING:** TO REDUCE THE RISK OF SHOCK, THIS FAN MUST BE INSTALLED WITH AN ISOLATING WALL CONTROL/SWITCH.

**WARNING:** This product is designed to use only those parts supplied with this product and/or accessories designated specifically for use with this product. Using parts and/or accessories not designated for use with this product could result in personal injury or property damage.

**WARNING:** Do not insert foreign objects in between rotating fan blades.

## LIMITED LIFETIME WARRANTY

**Extends to the original purchaser of a Fanimation Fan**

1. LIMITED LIFETIME MOTOR WARRANTY - If any part of your fan motor fails, due to a defect in materials or workmanship during the lifetime of the original purchaser, Fanimation will provide the replacement part free of charge, when the defective fan is returned to our national service center. Proof of purchase is required. Customer shall be responsible for all costs incurred in the removal or reinstallation and shipping of the product for repairs or replacement.
2. ONE YEAR MOTOR LABOR WARRANTY - If your fan motor fails at any time within one year from the original purchase, due to defects in materials or workmanship, labor to repair the motor will be provided free of charge at our national service center. Purchaser will be responsible for labor charges after this one-year period. Customer shall be responsible for all costs incurred in the removal or reinstallation and shipping of the product for repairs or replacement.
3. If any other part of your fan fails at any time within one year after original purchase, due to a defect in materials or workmanship, we will repair, or replace, at our option, the defective part free of charge for parts and labor performed at our national service center.
4. Because of varying climate conditions, this warranty does not cover changes in the finish, including rusting, pitting, corroding, tarnishing, or peeling.
5. This warranty is void and does not apply to damage from improper installation, neglect, accident, misuse, exposure to extremes of heat or humidity, or as a result of any modification to the original product.
6. All costs of removal and reinstallation of the fan are the sole responsibility of the owner of the fan and not the store that sold the fan or Fanimation.
7. Fanimation reserves the right to modify or discontinue any product at any time and may substitute any part under this warranty.
8. Under no circumstances may a fan be returned without prior authorization from Fanimation. The receipt of purchase must accompany authorized returns and must be sent freight prepaid to Fanimation. The fan to be returned must be properly packed to avoid damage in transit; Fanimation will not be responsible for any damage resulting from improper packaging.
9. It is understood that any repair or replacement is the exclusive remedy available from Fanimation. There is no other expressed or implied warranty. Fanimation hereby disclaims any and all implied warranties, including, but not limited to those of merchantability and fitness for a particular purpose to the extent permitted by law. Some states do not allow limitations on implied warranties. Fanimation will not be liable for incidental, consequential, or special damages arising out of or in conjunction with product use or performance, except as may otherwise be accorded by law. This warranty gives you special legal rights and you may also have other rights that vary from state to state.
10. A certain amount of wobble is normal and should not be considered a problem or a defect.

## Table of Contents

Unpacking Instructions.....	3
Electrical and Structural Requirements .....	4
Wiring and Control Options .....	4
How to Set and Operate Your C24 Hand-held Remote.....	5
How to Set and Operate Your C25 Wireless Wall Control .....	6
Hanger Options .....	7
Hanging the Fan .....	7
Wiring Your Ceiling Fan - Hanger Canopy Mount.....	8
Wiring Your Ceiling Fan - Hanger Eye Bolt Mount .....	9
How to Install Your Light Kit - LK27 (Optional).....	10
Installing the Shades.....	10
How to Change Your Light Bulbs.....	11
Maintenance.....	11
Parts List .....	12
Exploded-View Drawing .....	13
Trouble Shooting .....	14

# This Manual is Designed to Make it as Easy as Possible for You to Assemble, Install, Operate, and Maintain Your Ceiling Fan

## Tools Needed for Assembly

- One Phillips head screwdriver
- One stepladder
- One ¼" blade screwdriver
- ⅝" Socket head wrench
- One wire stripper

## Materials

Wiring outlet box and box connectors must be of type required by local code. The minimum wire would be a 3-conductor (2-wire with ground) of the following size:

Installed Wire Length	Wire Size A.W.G.
Up to 50 ft.	14
50 - 100 ft.	12

**NOTE:** Place the parts from the loose parts bags in a small container to keep them from being lost. If any parts are missing, contact your local retailer.

### ▲ WARNING

Before assembling your ceiling fan, refer to section on proper method of wiring your fan (page 4). If you feel you do not have enough wiring knowledge or experience, have your fan installed by a licensed electrician.

## Unpacking Instructions

For your convenience, check-off each step. As each step is completed, place a check mark. This will ensure that all steps have been completed and will be helpful in finding your place should you be interrupted.

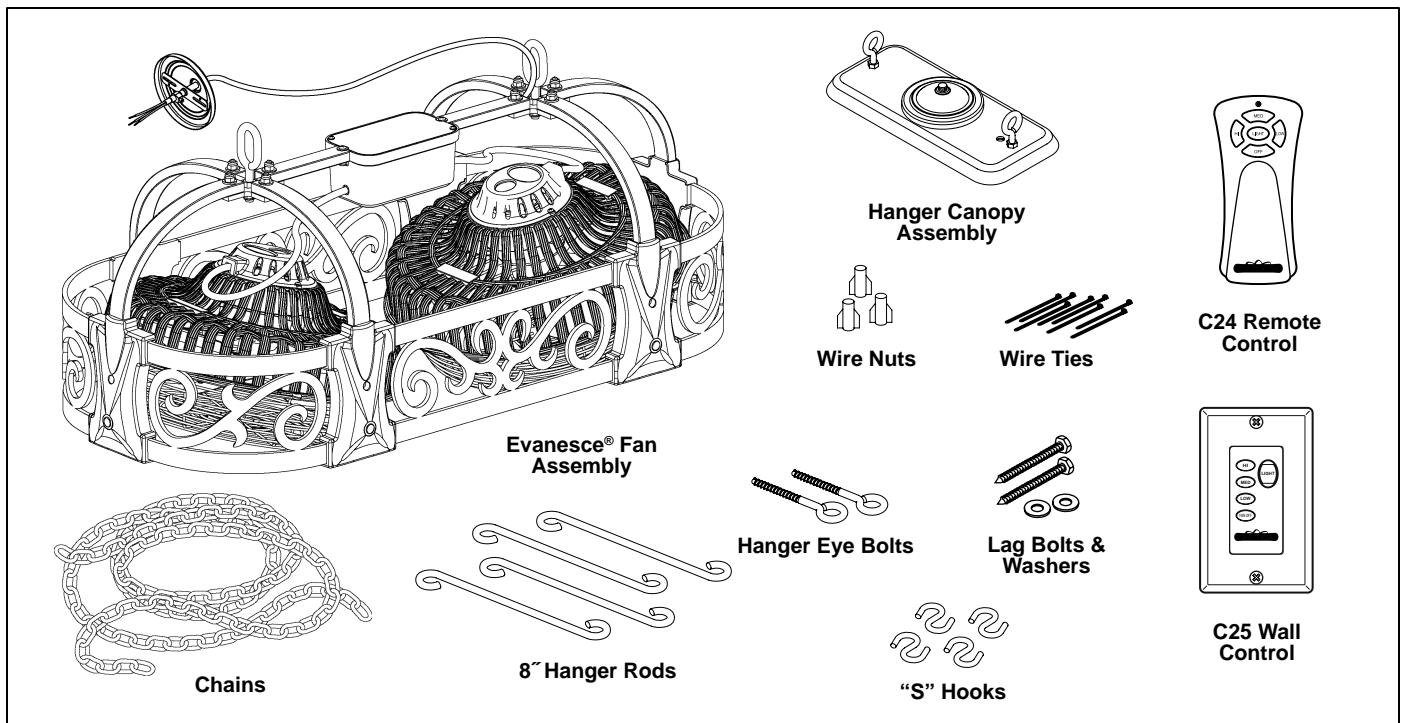
### ▲ WARNING

Do not install or use fan if any part is damaged or missing. This product is designed to use only those parts supplied with this product and/or any accessories designated specifically for use with this product by Fanimation. Substitution of parts or accessories not designated for use with this product by Fanimation could result in personal injury or property damage. Contact your retail store for missing or damaged parts.

Check to see that you have received the following parts:

**NOTE:** If you are uncertain of part description, refer to exploded view illustration. (Figure 18, page 13)

- Evanesce® Fan Assembly
- Hanger Canopy Assembly
- 80" Chains (2)
- 8" Hanger Rods (4)
- Hanger Eye Bolts (2)
- "S" Hooks (4)
- 5" Lag Bolts (2) and Flat Washers (2)
- Wire Nuts (3)
- Wire Ties (8)
- C24 Fan & Light Remote Control
- C25 Fan & Light Wireless Wall Control



## Electrical and Structural Requirements

Your new ceiling fan will require a grounded electrical supply line of 120 volts AC, 60 Hz, 15 amp circuit. The outlet box must be securely anchored and capable of withstanding a load of at least 100 lbs. **Figure 1** depicts different structural configurations that may be used for mounting the outlet box.

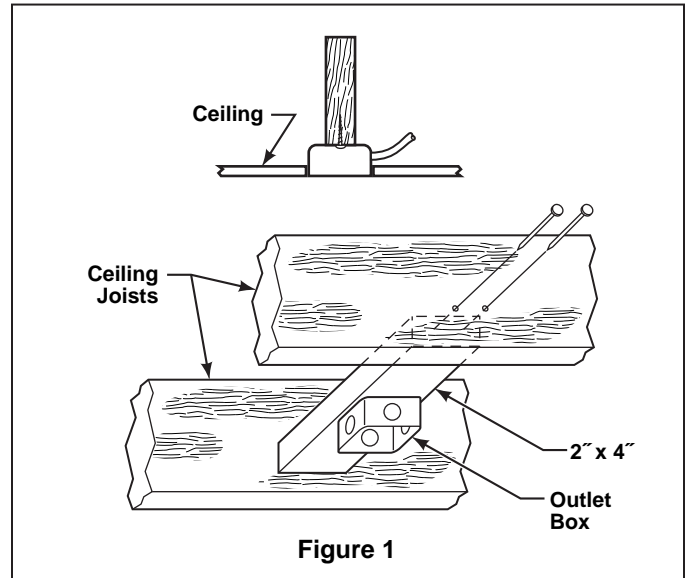
### **⚠ WARNING**

To reduce the risk of fire, electrical shock, or personal injury, mount fan to outlet box marked acceptable for fan support of 45.36 kg (100 lbs) or less. Use screws supplied with outlet box. Most outlet boxes commonly used for support of light fixtures are not acceptable for fan support and may need to be replaced. Consult a qualified electrician if in doubt.

If your fan is to replace an existing light fixture, turn electricity off at the main fuse box at this time and remove the existing light fixture.

### **⚠ WARNING**

Turning off wall switch is not sufficient. To avoid possible electrical shock, be sure electricity is turned off at the main fuse box before wiring. All wiring must be in accordance with National and Local codes and the ceiling fan must be properly grounded as a precaution against possible electrical shock.



### **⚠ WARNING**

To avoid fire or shock, follow all wiring instructions carefully. Any electrical work not described in these instructions should be done or approved by a licensed electrician.

## Wiring and Control Options

Please choose one of the following options and proceed to the page as indicated.

1. Fan (& optional light) remote control (C24), see page 5.

2. Fan (& optional light) wall control (C25), see page 6.

3. Optional light kit (LK27), see page 10.

# How to Set and Operate Your C24 Hand-held Remote

If you feel that you do not have enough electrical wiring knowledge or experience, have your fan installed by a licensed electrician.

## **⚠ WARNING**

To avoid possible electrical shock, be sure electricity is turned off at the main fuse box before wiring.  
**NOTE: If you are not sure if the outlet box is grounded, contact a licensed electrician for advice, as it must be grounded for safe operation.**

**1. Setting the Code:** The remote unit has 16 different code combinations. It may be necessary to test a couple frequency code settings to improve signal reception and/or eliminate interference from other remote control household items. Multiple fans should have different code settings to allow independent fan control. To set the code, perform these steps.

**2. Remove the Control Box Cover** on the fan by loosening the two screws (Figure 2).

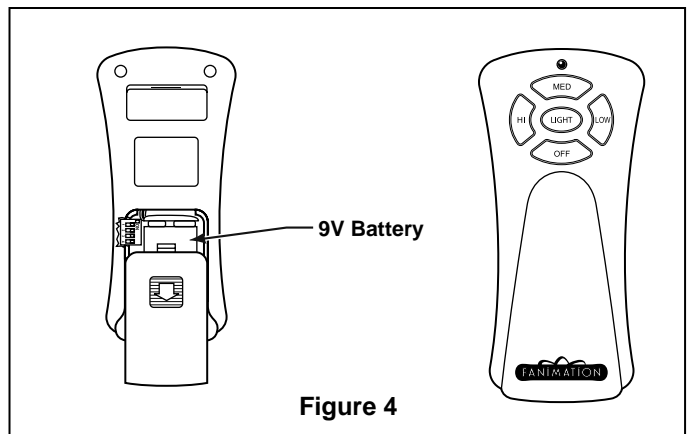
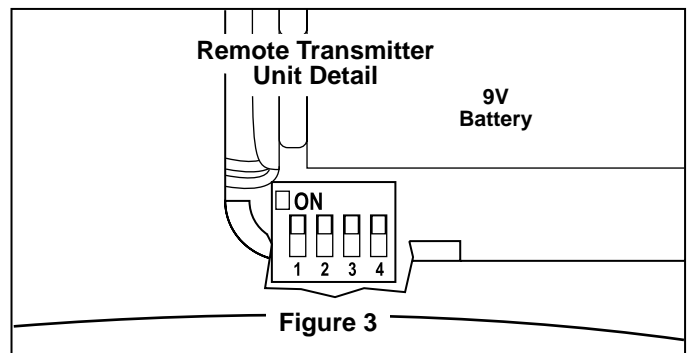
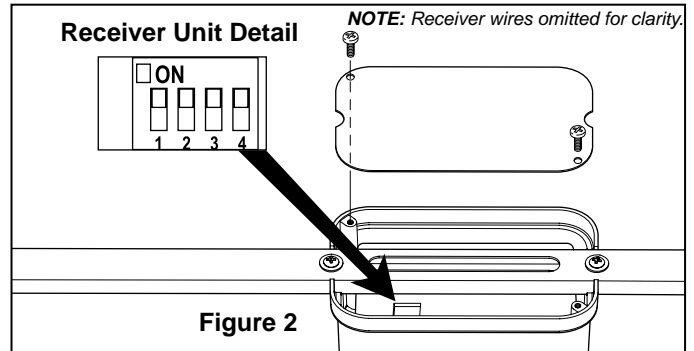
**3. Receiver:** Slide code switches to your choice of up or down position. Factory setting is all up. Do not use this position. With a small screwdriver or ball point pen slide firmly up or down (Figure 2).

**4. Transmitter:** remove battery cover. Press firmly below arrow and slide battery cover off. Slide code switches to the same positions as set on your receiver (Figure 3). Replace battery cover on the transmitter.

**1. Operating & Using Remote Transmitter (Figure 4):** Install 9 volt battery (If not using for long periods of time, remove battery to prevent damage to transmitter). Store the transmitter away from excess heat or humidity.

- HI Push Button – high fan speed
- MED Push Button – medium fan speed
- LOW Push Button – low fan speed
- OFF Push Button – fan off
- Light Push Button – toggles on/off and brightness control for optional light arms

To control either light hold down key to increase or decrease brightness. Tap key quickly to turn light on or off. The light keys have auto resume and will stay at the same brightness as the last time it was turned off.



# How to Set and Operate Your C25 Wireless Wall Control

If you feel that you do not have enough electrical wiring knowledge or experience, have your fan installed by a licensed electrician.

**NOTE:** If fan or supply wires are different colors than indicated, have this unit installed by a qualified electrician.

## ⚠ WARNING

To avoid possible electrical shock, be sure electricity is turned off at the main fuse box before wiring.  
**NOTE:** If you are not sure if the outlet box is grounded, contact a licensed electrician for advice, as it must be grounded for safe operation.

**1. Setting the Code:** The remote unit has 16 different code combinations. It may be necessary to test a couple frequency code settings to improve signal reception and/or eliminate interference from other remote control household items. Multiple fans should have different code settings to allow independent fan control. To set the code, perform these steps.

**2. Remove the Control Box Cover on the fan by loosening the two screws (Figure 5).**

**3. Receiver:** Slide code switches to your choice of up or down position. Factory setting is all up. Do not use this position. With a small screwdriver or ball point pen slide firmly up or down (Figure 5).

**4. Transmitter:** Remove the cover plate. Slide code switches to the same positions as set on your receiver. Install the battery. Re-install the cover plate (Figure 6).

**5. Installing Wireless Wall Transmitter (Figure 7):**

- Remove the existing wall plate and switch.
- Be sure to complete the electrical circuit within the junction box by-passing wall control. Connect black to black, white to white, green to green. Carefully push wires into the outlet box.
- Attach wall control unit to outlet box using the two 6-32 screws provided.
- Attach wall plate to the switch control front using the two small screws provided.
- Restore electrical power.

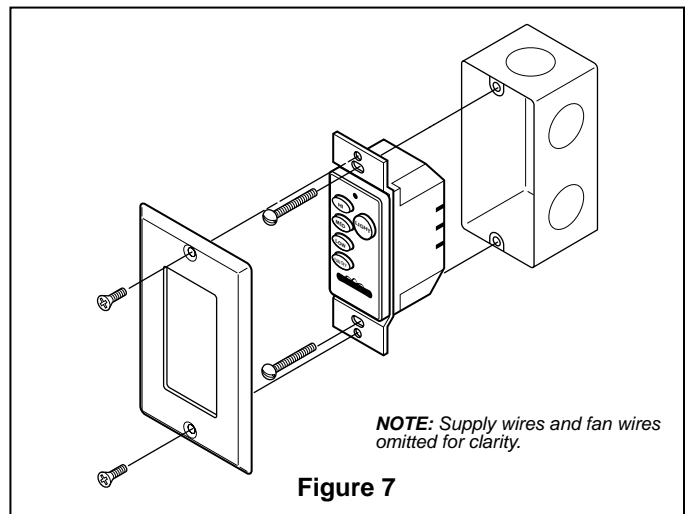
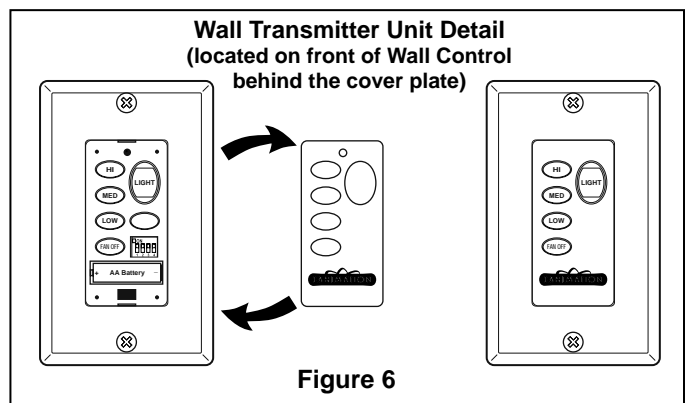
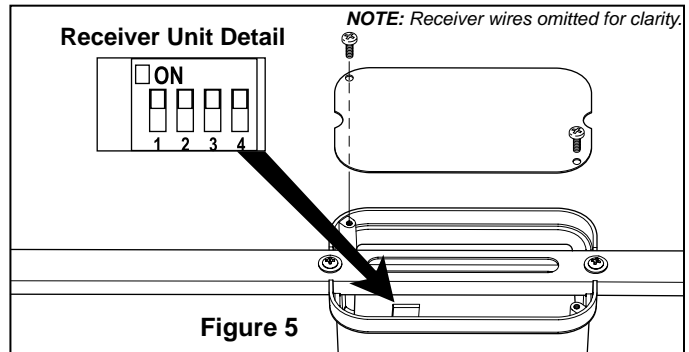
**NOTE:** In case of weak reception, replace battery inside wall control.

**6. Operating & Using Wall Transmitter:**

- HI Push Button – high fan speed
- MED Push Button – medium fan speed
- LOW Push Button – low fan speed
- OFF Push Button – fan off
- Light Push Button – toggles on/off and brightness control for optional light arms

## ⚠ WARNING

Check to see that all connections are tight, including ground, and that no bare wire is visible at the wire connectors. Do not operate fan until the blades is in place. Noise and fan damage could result.



## Hanger Options

Please choose one of two hanger options for your ceiling fan:

### Option 1 - Hanger Canopy Mount (Figure 8a)

1. Place the Hanger Canopy Assembly on the ceiling covering the junction box.

2. Attach the assembly to the ceiling using two 5" Lag Bolts. Choose any 2 opposing holes in the canopy assembly which will allow the Lag Bolts to screw in into the wood structure of the building.

3. Proceed to "Hanging the Fan".

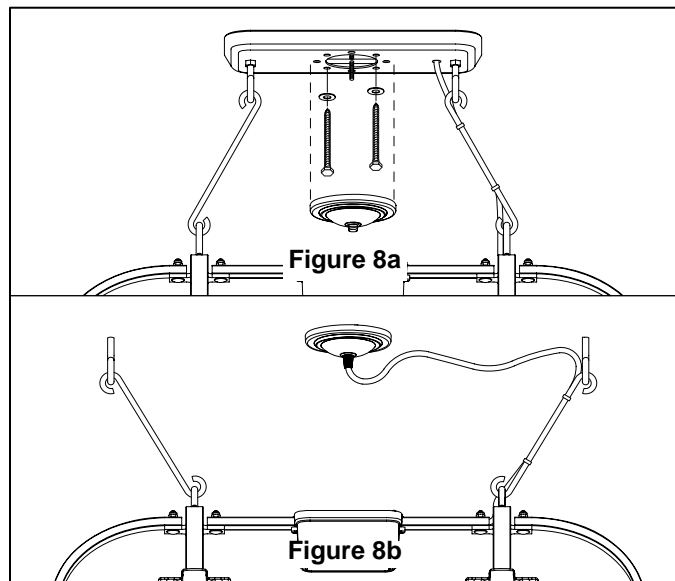
### Option 2 - Hanger Eye Bolt Mount (Figure 8b)

1. Hanger Eye Bolts to be attached to the ceiling 30 inches apart. Each Eye Bolt should be 15 inches away from the desired center of the fan location.

2. Drill a 1/4" pilot hole for each Eye Bolt.

3. Screw the Eye Bolt into the wood structure of the ceiling.

3. Proceed to "Hanging the Fan".



## Hanging the Fan

### ▲ WARNING

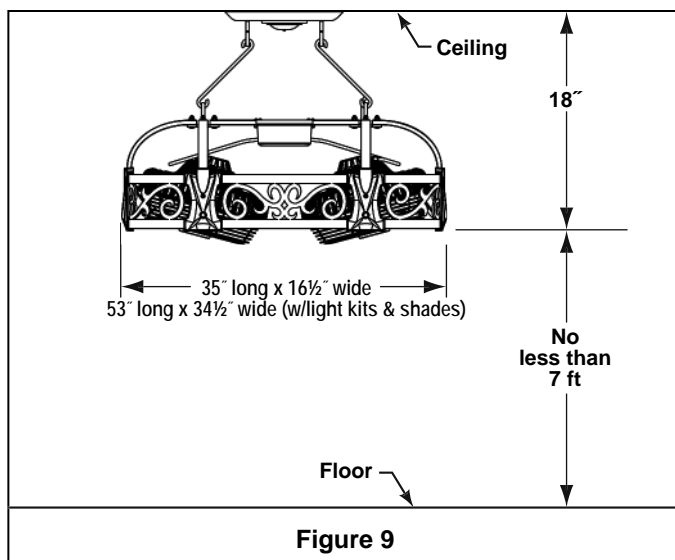
The fan must be hung with at least 7' of clearance from floor to blades (Figure 9)

**NOTE:** Prior to hanging your fan, set the frequency switches located on the receiver unit in the control box. See pages 5 or 6.

1. Your fan is supplied with the following hanger items:

- Two 80" pieces of chain
- Four "S" hooks
- Four 8" Hanger Rods

2. Attach the fan to the hanger system (which is already attached to the ceiling) by using any combination of the above items (Hanger Rods only; "S" Hooks and Chains only; or a combination of Hanger Rods with the "S" Hooks and chains)



### INSTALLATION NOTE

**HEAVY!** Two or three people are required to hang the fan.

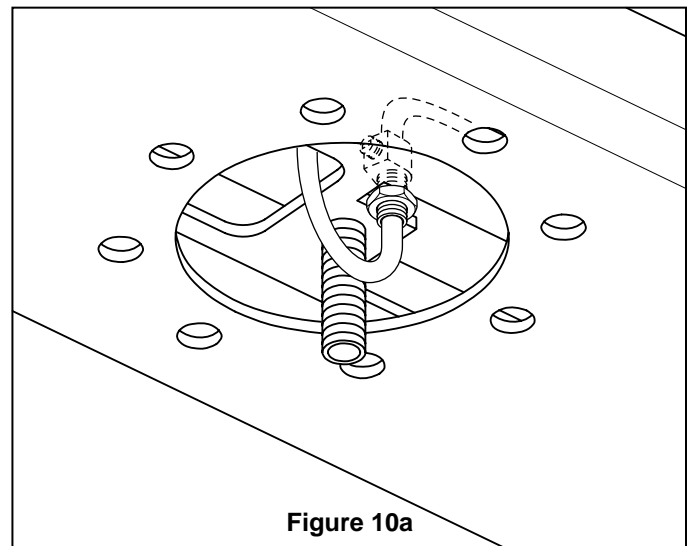
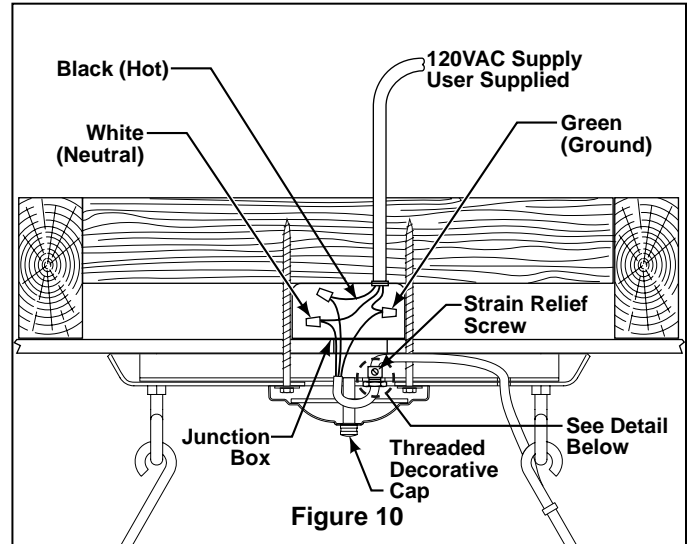
# Wiring Your Ceiling Fan - Hanger Canopy Mount

## **⚠ WARNING**

To avoid possible electrical shock, be sure electricity is turned off at the main fuse box before wiring.

### Figures 10 & 10a

1. Position the wire up the chain or hanger rod. Attach the wire with supplied wire ties.
2. Feed the end or the lead wire through the provided hole next to the eye bolt in the hanger assembly. Guide the wire toward the center of the hanger system.
3. Feed the end or the lead wire through the provided strain relief and nut assembly. Secure power cord in strain relief by tightening screw (Figure 10).
4. Pull the wire through the center hole in the hanger system and cut off the excess lead wire.
5. Strip the Black, White, and Green wires so that ½ inch of bare wire is revealed.
6. Attach the black wire from the fan to the black wire in the junction box.
7. Attach the white wire from the fan to the white wire in the junction box.
8. Attach the green wire from the fan to the green wire in the junction box.
9. Secure the power cord by assembling strain relief and nut assembly onto the hanger bracket assembly as shown in Figure 10a.
10. Position the wires and wire nuts inside the junction box.
11. Attach the canopy cover to the hanger system using the threaded decorative cap





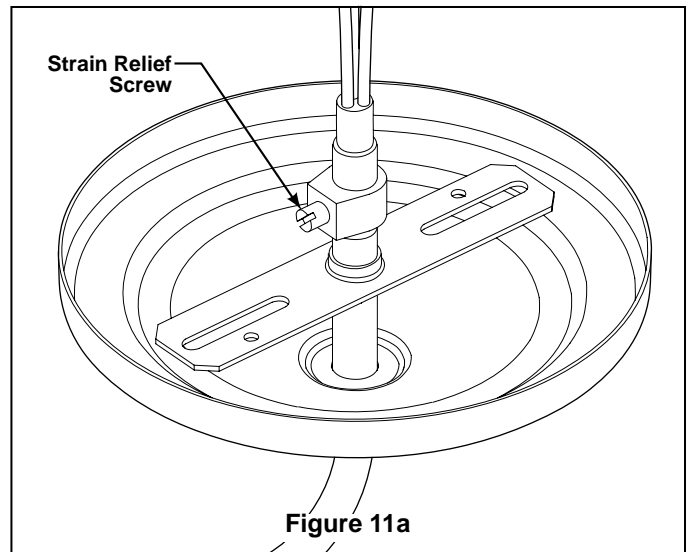
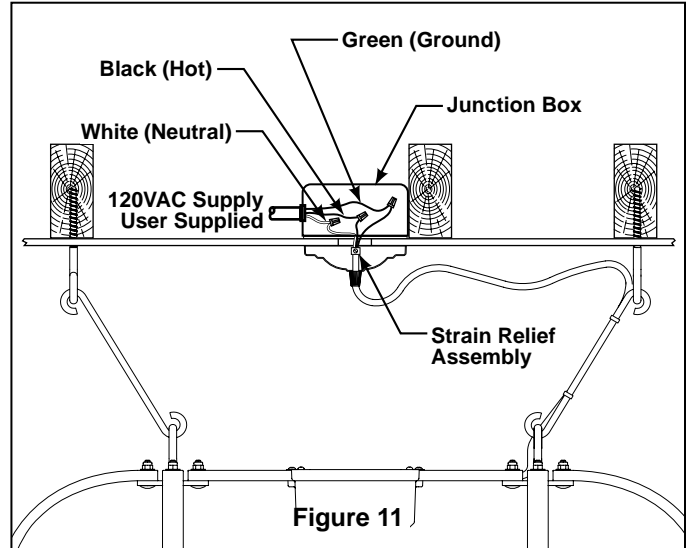
# Wiring Your Ceiling Fan - Hanger Eye Bolt Mount

## **▲ WARNING**

To avoid possible electrical shock, be sure electricity is turned off at the main fuse box before wiring.

### Figures 11 & 11a

1. Attach the sheet metal strap to the ceiling junction box with the screws provided with the junction box.
2. Position the wire up the chain or hanger rod. Attach the wire with supplied wire ties.
3. Slide the Canopy Cover down the wire towards the fan.
4. Swag the wire over to the ceiling junction box.
5. Feed the wire up through the threaded nipple and strain relief assembly. Secure power cord in strain relief by tightening screw (Figure 11a).
6. Cut off any excess lead wire.
7. Strip the Black, White, and Green wires so that ½ inch of bare wire is revealed.
8. Attach the black wire from the fan to the black wire in the junction box.
9. Attach the white wire from the fan to the white wire in the junction box.
10. Attach the green wire from the fan to the green wire in the junction box.
11. Position the wires and wire nuts inside the junction box.
12. Attach the canopy cover to the threaded nipple using threaded bushing cap.



## How to Install Your Light Kit - LK27 (Optional)

### **▲ WARNING**

To avoid possible electrical shock, be sure electricity is turned off at the main fuse box before wiring.

1. Turn off power.
2. Remove Rubber Plug from screw hole.
3. Remove the “plain” side covers with the Philips screwdriver. Save the screws. (Figure 12)
4. Carefully connect the electrical connectors on the light kit to connector on the fan assembly before mounting the light kits.
5. Position light kit (LK27\_ \_) to corresponding position on side panel of the fan assembly and fasten using the screws you saved from step two. Be sure the wires are not pinched between the cover and the fan assembly. Do not over-tighten.
6. Re-install Rubber Plug.
7. Install (optional) shades and light bulbs (not included).
8. Restore power.
9. See pages 5 & 6 to operate your LK27 light Kit.

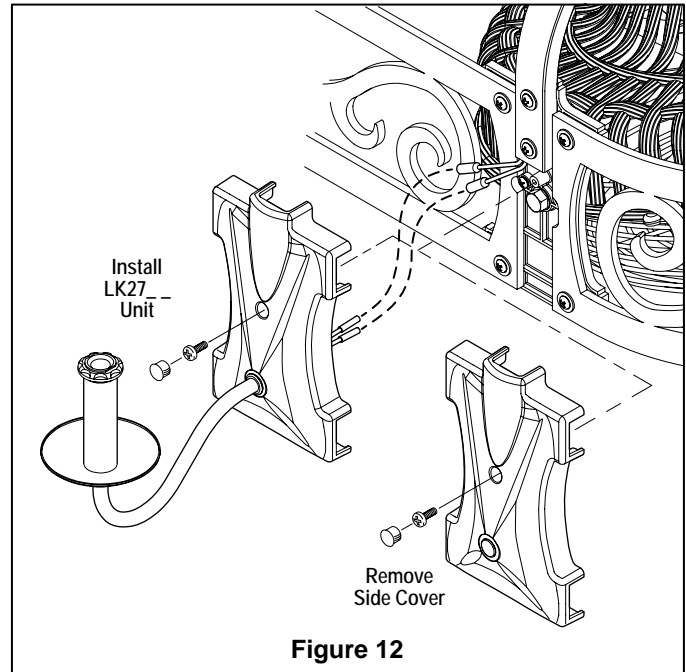


Figure 12

## Installing the Shades

1. Turn off power.
2. Remove the Socket Nut from the Light Arm Unit. (Figure 13)
3. Carefully position the shade “washer” over the threaded post.
4. Install and hand-tighten the Socket Nut. Do not over-tighten.
5. Install the candelabra bulbs (not included).
6. Restore power.

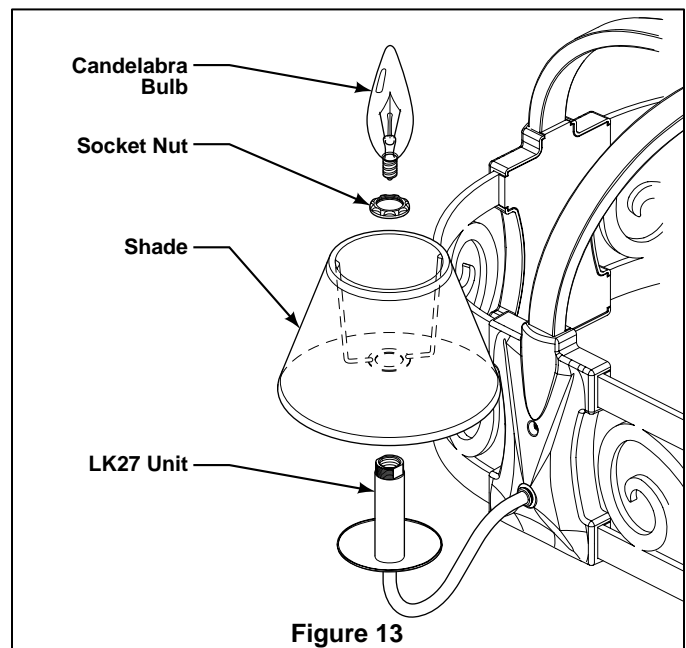


Figure 13

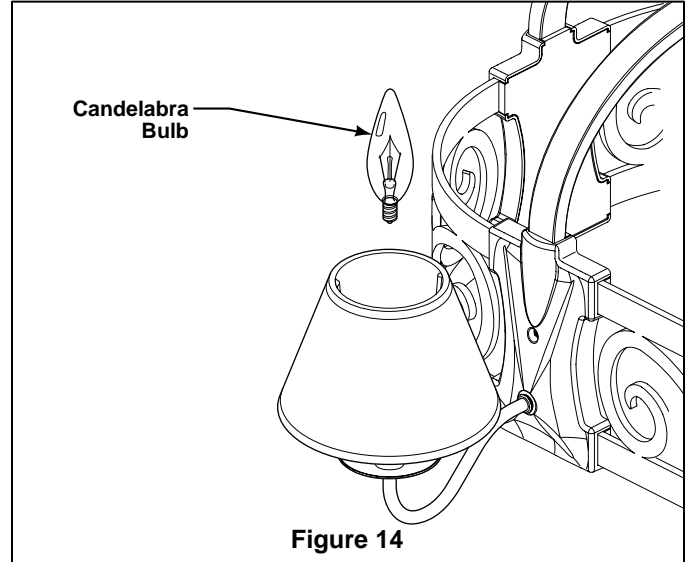
---

## How to Change Your Light Bulbs

### **▲ WARNING**

To prevent over-heating or electrical fires, use **ONLY** 120 volt, 40 or 60 watt, incandescent bulbs as specified.

1. Turn off power.
2. Remove the faulty bulb(s). By gently, twisting counter-clockwise and pulling out the bulb (Figure 14).
3. Install the bulb, twisting clockwise to seat the bulb.
4. Restore power.



---

## Maintenance

Periodic cleaning of your new ceiling fan is the only maintenance that is needed. When cleaning, use only a soft brush or lint free cloth to avoid scratching the finish. Abrasive and/or non-abrasive cleaning agents are not required and should be avoided to prevent damage to finish.

### **CAUTION**

Do not use water when cleaning your ceiling fan. It could damage the motors or the finish and create the possibility of electrical shock.

# Parts List

Model #FP2700

Ref. #	Description	Qty	Part #
1	Fan Motor Assembly	1	♣
2	Canopy Assembly	1	P2702
3	Control Receiver Unit (inside Control Housing)	1	P2704
4	Canopy Ceiling Assembly	1	P2705
5	Side Cover	6	P2709
6	Light Kit †		LK27**
7	Wire Nut	3	HDWFP2700
8	Wire Tie	8	
9	Flat Washer	2	
10	5" Lag Bolt	2	
11	80" Hanging Chain	2	HDWCL2700
12	4" Lag Eye Bolt	2	
13	"S" Hook	4	HDWSH2700
14	8" Hanging Rod	4	HDWHR2700
15	Remote Control	1	C24
16	Wireless Wall Control	1	C25

♣ *Non-Serviceable Item*

† *Optional - Sold Separately*

\*\* *Insert FINISH CODES (Refer to fan model number located on fan assembly)*

Before discarding packaging materials, be certain all parts have been removed

## How To Order Parts

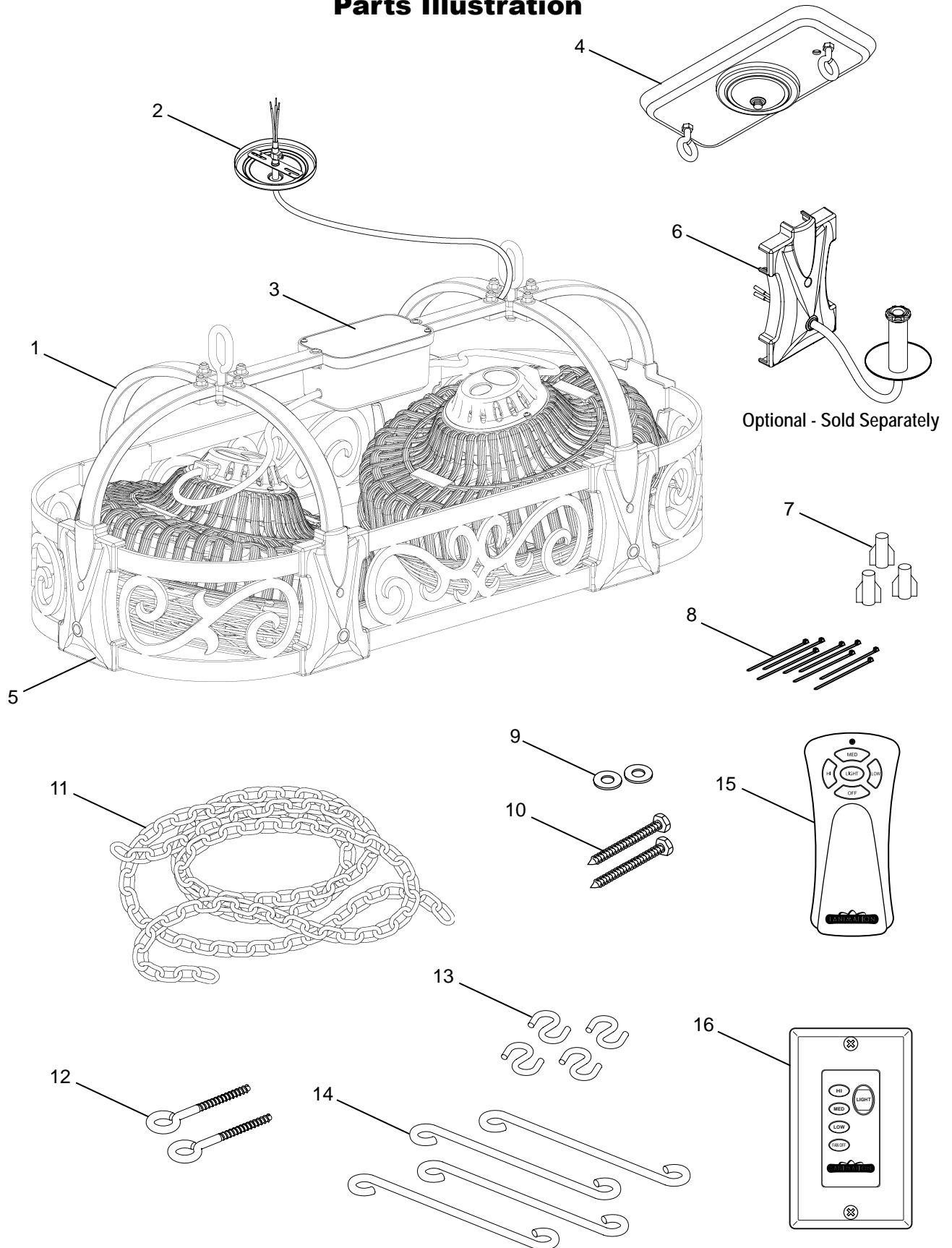
When ordering repair parts, always give the following information:

- Part Number
- Part Description
- Fan Model Number

Contact your retail store for repair parts.

# The Evansece® FP2700

## Parts Illustration



Optional - Sold Separately

**NOTE:** The illustration shown is not to scale or its actual configuration may vary.  
Wires partially removed for clarity.

Figure 15

# Trouble Shooting

## **⚠ WARNING**

For your own safety turn off power at fuse box or circuit breaker before trouble shooting your fan.

<b>Trouble</b>	<b>Probable Cause</b>	<b>Suggested Remedy</b>
<b>1. FAN WILL NOT START</b>	<ol style="list-style-type: none"><li>1. Fuse or circuit breaker blown.</li><li>2. Loose power line connections to the fan, or loose switch wire connections in the switch housing.</li><li>3. Dead battery in remote control.</li></ol>	<ol style="list-style-type: none"><li>1. Check main and branch circuit fuses or circuit breakers.</li><li>2. Check line wire connections to fan and switch wire connections in the switch housings. <b>CAUTION: Make sure main power is turned off !</b></li><li>3. Replace with fresh battery.</li></ol>
<b>2. FAN SOUNDS NOISY</b>	<ol style="list-style-type: none"><li>1. Loose screws in fan assembly.</li><li>2. Shades and light bulb(s) are rattling.</li></ol>	<ol style="list-style-type: none"><li>1. Check to make sure all screws in fan assembly are snug (not over-tight).</li><li>2. Check to see that the socket nut which holds the shades is in place and are snug. Check to see the bulbs are snug. <b>CAUTION: Make sure main power is turned off !</b></li></ol>





**10983 Bennett Parkway  
Zionsville, IN 46077  
(888) 567-2055**

**FAX (866) 482-5215**

**Outside U.S. call (317) 733-4113**

**Visit Our Website @ [www.fanimation.com](http://www.fanimation.com)**