

The Escalade[®]

Ceiling Fan



Suitable for use with Solid State Speed Controls
WARNING: Support Directly From Building Structure

Net Weight 38 lbs. or 17.3 kg.



Model No. FP2320**

OWNER'S MANUAL
READ AND SAVE THESE INSTRUCTIONS



Important Safety Instructions

WARNING: To avoid fire, shock and serious personal injury, follow these instructions.

1. Read your owner's manual and safety information before installing your new fan. Review the accompanying assembly diagrams.
2. Before servicing or cleaning unit, switch power off at service panel and lock service panel disconnecting means to prevent power from being switched on accidentally. When the service disconnecting means cannot be locked, securely fasten a warning device, such as a tag, to the service panel.
3. Be careful of the fan and blades when cleaning, painting, or working near the fan. Always turn off the power to the ceiling fan before servicing.
4. Do not insert anything into the fan blades while the fan is operating.
5. Do not operate reversing switch until fan blades have come to a complete stop.

Additional Safety Instructions

1. To avoid possible shock, be sure electricity is turned off at the fuse box before wiring, and do not operate fan without blades.
2. All wiring and installation procedures must satisfy National Electrical Codes (ANSI/ NFPA 70-1999). Use the National Electrical Code if Local Codes do not exist. The ceiling fan must be grounded as a precaution against possible electrical shock. Electrical installation should be made or approved by a licensed electrician.
3. The fan base must be securely mounted and capable of reliably supporting at least 100 lbs. (fan and accessories not to exceed 35 lbs. or 16 kgs.). Outlet boxes are not acceptable for fan support. See page 5 of owner's manual for support requirements. Consult a qualified electrician if in doubt.
4. **CAUTION:** To reduce the risk of personal injury, mount the fan base to a ceiling joist or structural member using the hardware provided with your fan.
WARNING: Support Directly from Building Structure.
5. The fan must be mounted with the fan blades at least 7 feet from the floor to prevent accidental contact with the fan blades.
6. Follow the recommended instructions for the proper method of wiring your ceiling fan. If you do not have adequate electrical knowledge or experience, have your fan installed by licensed electrician.
7. Suitable for use with solid-state speed controls.
WARNING: To reduce the risk of fire or electric shock, this fan should only be used with Fan Speed Control Part No. UC7051R, manufactured by Rhine Electronic Co., Ltd.
WARNING: TO REDUCE THE RISK OF SHOCK, THIS FAN MUST BE INSTALLED WITH AN ISOLATING WALL CONTROL/SWITCH.
WARNING: This product is designed to use only those parts supplied with this product and/or accessories designated specifically for use with this product. Using parts and/or accessories not designated for use with this product could result in personal injury or property damage.
WARNING: To reduce the risk of personal injury, do not bend the blade bracket (flange or blade holder) when installing the brackets, balancing the blades, or cleaning the fan. Do not insert foreign objects in between rotating fan blades.

LIMITED LIFETIME WARRANTY

Extends to the original purchaser of a Fanimation Fan

1. LIMITED LIFETIME MOTOR WARRANTY - If any part of your fan motor fails, due to a defect in materials or workmanship during the lifetime of the original purchaser, Fanimation will provide the replacement part free of charge, when the defective fan is returned to our national service center. Proof of purchase is required. Customer shall be responsible for all costs incurred in the removal or reinstallation and shipping of the product for repairs or replacement.
2. ONE YEAR MOTOR LABOR WARRANTY - If your fan motor fails at any time within one year from the original purchase, due to defects in materials or workmanship, labor to repair the motor will be provided free of charge at our national service center. Purchaser will be responsible for labor charges after this one-year period. Customer shall be responsible for all costs incurred in the removal or reinstallation and shipping of the product for repairs or replacement.
3. If any other part of your fan fails at any time within one year after original purchase, due to a defect in materials or workmanship, we will repair, or replace, at our option, the defective part free of charge for parts and labor performed at our national service center.
4. Because of varying climate conditions, this warranty does not cover changes in the finish, including rusting, pitting, corroding, tarnishing, or peeling.
5. This warranty is void and does not apply to damage from improper installation, neglect, accident, misuse, exposure to extremes of heat or humidity, or as a result of any modification to the original product.
6. All costs of removal and reinstallation of the fan are the sole responsibility of the owner of the fan and not the store that sold the fan or Fanimation.
7. Fanimation reserves the right to modify or discontinue any product at any time and may substitute any part under this warranty.
8. Under no circumstances may a fan be returned without prior authorization from Fanimation. The receipt of purchase must accompany authorized returns and must be sent freight prepaid to Fanimation. The fan to be returned must be properly packed to avoid damage in transit; Fanimation will not be responsible for any damage resulting from improper packaging.
9. It is understood that any repair or replacement is the exclusive remedy available from Fanimation. There is no other expressed or implied warranty. Fanimation hereby disclaims any and all implied warranties, including, but not limited to those of merchantability and fitness for a particular purpose to the extent permitted by law. Some states do not allow limitations on implied warranties. Fanimation will not be liable for incidental, consequential, or special damages arising out of or in conjunction with product use or performance, except as may otherwise be accorded by law. This warranty gives you special legal rights and you may also have other rights that vary from state to state.
10. A certain amount of wobble is normal and should not be considered a problem or a defect.

Table of Contents

Unpacking Instructions	3
How to Assemble Your Ceiling Fan	4
How to Hang Your Ceiling Fan	5
Electrical Requirements	6
Wiring and Control Options	6
How to Wire Your Ceiling Fan - C8 Remote Control	7
Operating Instructions - C8 Remote Control	7
How to Wire and Operate Your C9 Wall Control	8
Installing the Canopy Housing	9
How to Install Your Light Kit - LK23 (Optional)	9
How to Change Your Light Bulbs	10
Maintenance	10
Trouble Shooting	11
Parts List	12
Exploded-View Drawing	11

This Manual is Designed to Make it as Easy as Possible for You to Assemble, Install, Operate, and Maintain Your Ceiling Fan

Tools Needed for Assembly

- One Phillips head screwdriver
- One stepladder
- One 1/4" blade screwdriver
- 5/16" Socket head wrench
- One wire stripper

Materials

Wiring outlet box and box connectors must be of type required by local code. The minimum wire would be a 3-conductor (2-wire with ground) of the following size:

Installed Wire Length	Wire Size A.W.G.
Up to 50 ft.	14
50 - 100 ft.	12

NOTE: Place the parts from the loose parts bags in a small container to keep them from being lost. If any parts are missing, contact your local retailer.

▲ WARNING

Before assembling your ceiling fan, refer to section on proper method of wiring your fan (page 4). If you feel you do not have enough wiring knowledge or experience, have your fan installed by a licensed electrician.

Unpacking Instructions

For your convenience, check-off each step. As each step is completed, place a check mark. This will ensure that all steps have been completed and will be helpful in finding your place should you be interrupted.

▲ WARNING

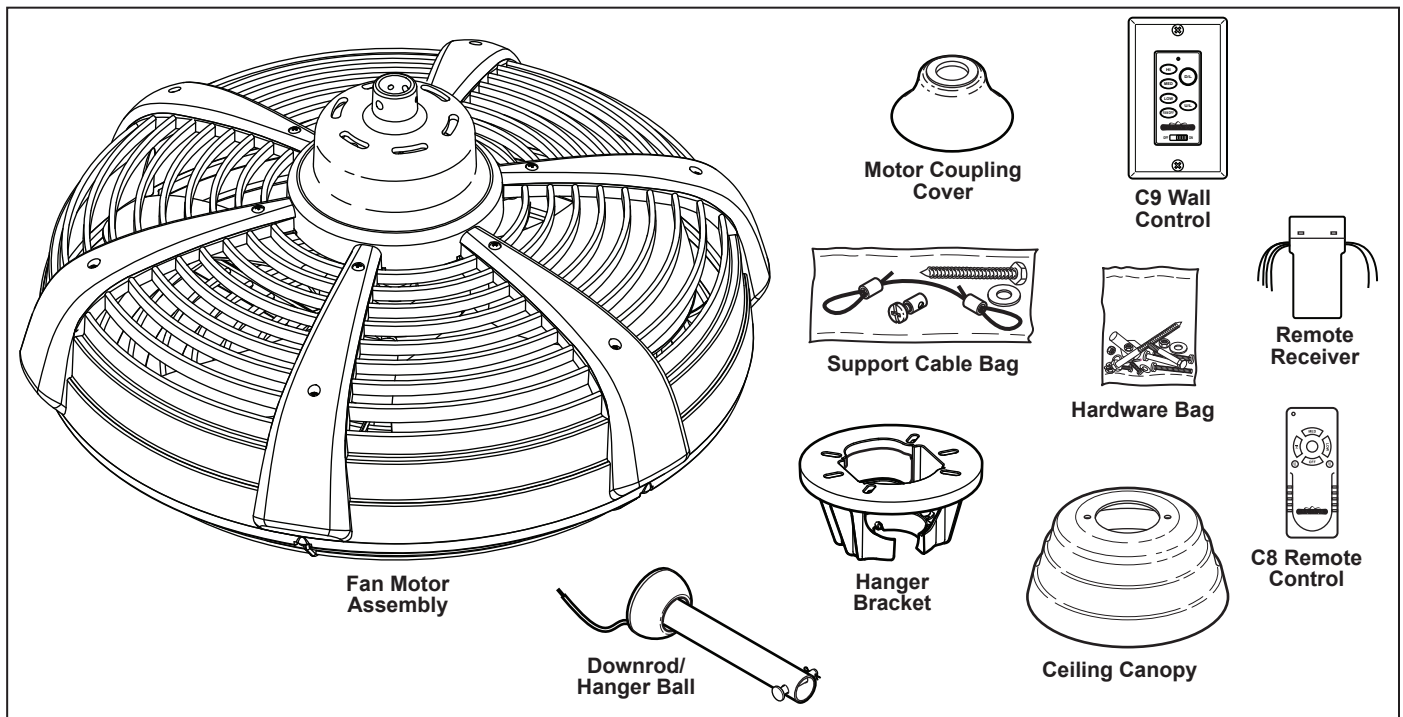
Do not install or use fan if any part is damaged or missing. This product is designed to use only those parts supplied with this product and/or any accessories designated specifically for use with this product by Fanimation. Substitution of parts or accessories not designated for use with this product by Fanimation could result in personal injury or property damage. Contact your retail store for missing or damaged parts.

Check to see that you have received the following parts:

- Fan Motor assembly
- Downrod/Hanger Ball assembly (DR6)
- Ceiling Canopy

- Hanger Bracket
- Hardware bag:
 - Seven wire connectors
 - Two 5/32" threaded rods
 - Two 5/32" lockwashers
 - Two 5/32" knurled knobs
- Support Cable bag:
 - Ceiling Support Cable
 - Cable Clamp
 - 3/8" x 2" lag bolt
 - 3/8" washer
- Motor Coupling Cover
- C8 Fan & Light Remote Control
- C9 Fan & Light Wall Control
- Remote Receiver

NOTE: If you are uncertain of part description, refer to exploded view illustration. (Figure 18, page 13)



Electrical and Structural Requirements

Your new ceiling fan will require a grounded electrical supply line of 120 volts AC, 60 Hz, 15 amp circuit. The outlet box must be securely anchored and capable of withstanding a load of at least 50 lbs. Figure 1 depicts different structural configurations that may be used for mounting the outlet box.

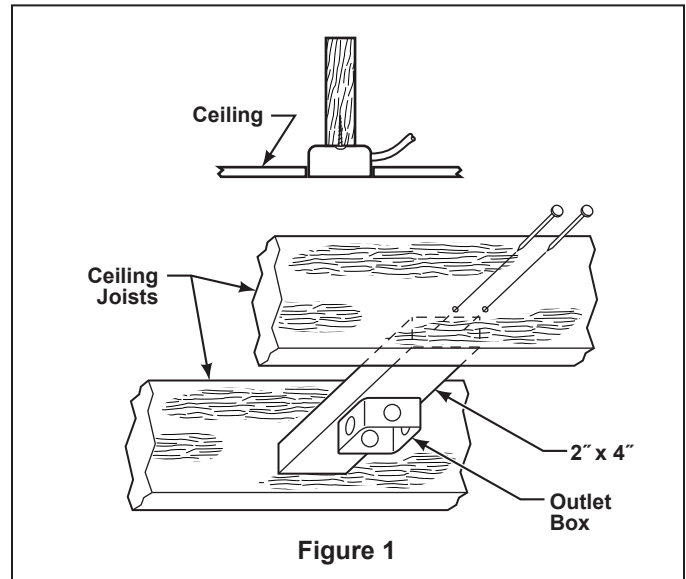
▲ WARNING

To reduce the risk of fire, electrical shock, or personal injury, mount fan to outlet box marked acceptable for fan support, and use screws supplied with outlet box. Most outlet boxes commonly used for support of light fixtures are not acceptable for fan support and may need to be replaced. Consult a qualified electrician if in doubt.

If your fan is to replace an existing light fixture, turn electricity off at the main fuse box at this time and remove the existing light fixture.

▲ WARNING

Turning off wall switch is not sufficient. To avoid possible electrical shock, be sure electricity is turned off at the main fuse box before wiring. All wiring must be in accordance with National and Local codes and the ceiling fan must be properly grounded as a precaution against possible electrical shock.



▲ WARNING

To avoid fire or shock, follow all wiring instructions carefully. Any electrical work not described in these instructions should be done or approved by a licensed electrician.

Wiring and Control Options

Please choose one of the following options and proceed to the page as indicated.

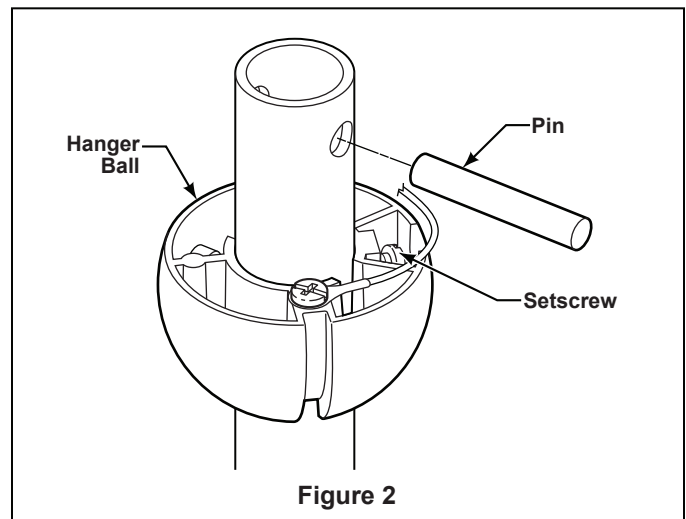
1. Standard 3-speed fan only, remote or wall control.
2. Fan (& optional light) remote control (C8), see page 7.
3. Fan (& optional light) wall control (C9), see page 8.
4. Optional light kit (LK23), see page 9.

How to Assemble Your Ceiling Fan

1. To prevent damage to housing and/or blade, leave the Fan Motor Assembly in its original packing during installation of down rod, ceiling canopy and motor coupling cover.

NOTE: Do not set Fan Motor Assembly on floor or hard surface.

2. Prior to assembly, set aside and save the hardware bag(s) packed in the packing.
3. Remove the Hanger Ball by loosening the setscrew in the Hanger Ball until the ball falls freely down the Downrod. (Figure 2) Remove the Pin from the Downrod, then remove the Hanger Ball. Retain the Pin and Hanger Ball for reinstallation in Step 5.



How to Assemble Your Ceiling Fan (cont'd)

4. Separate and untwist the two wires and the safety cable. Route the leads through the Downrod.
5. Loosen the two setscrews in the Downrod Support. Align the Clevis Pin holes in the Downrod with the holes in the Downrod Support. Install the Clevis Pin and secure with the Hairpin Clip. (Figure 3)

NOTE: Do not set Fan Motor Assembly on floor or hard surface.

6. Pass the Downrod/Hanger Ball Assembly through the top of the ceiling canopy (Figure 3) and push the bell-shaped motor coupling cover on to the downrod as shown.

NOTE: You will be using either the 6" downrod supplied with your fan or an optional downrod purchased separately.

▲ WARNING

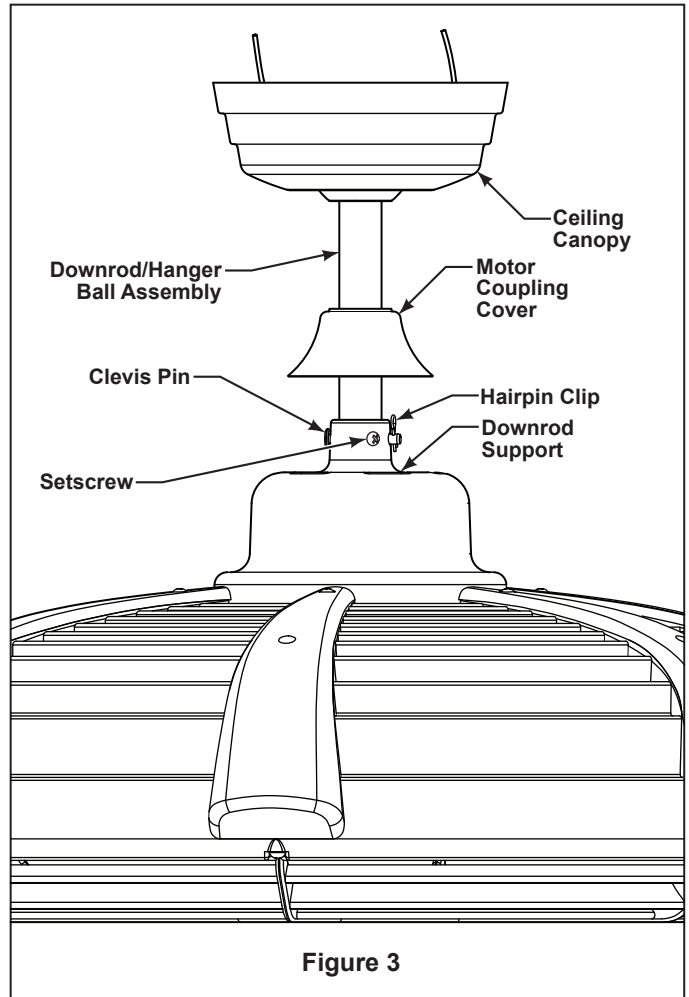
It is critical that the clevis pin in the downrod support is properly installed and the setscrews are securely tightened. Failure to verify that the pin and setscrews are properly installed could result in the fan falling.

7. Loosen the two setscrews in the downrod support. Align the clevis pin holes in the downrod with the holes in the downrod support. Install the clevis pin and secure with the hairpin clip (Figure 3). The clevis pin must go through the holes in the downrod support and the holes in the downrod. Be sure to push the straight leg of the hairpin clip through the hole near the end of the clevis pin until the curved portion of the hairpin clip snaps around the clevis pin. The hairpin clip must be properly installed to prevent the clevis pin from working loose. Pull on the hanger ball to make sure the clevis pin is properly installed.

8. While pulling up on the hanger ball, securely tighten the two setscrews in the downrod support (Figure 3).

NOTE: The setscrews must be properly installed as described above, or fan-wobble could result.

9. Slide the motor coupling cover down until it touches the top of the motor.



10. The fan comes with a support cable, blue, black, orange and white leads. Before installing fan, measure up approximately 6-9 inches above top of Downrod/Hanger Ball Assembly. Cut off excess cable and wire. Strip back insulation 1/2" from end of each wire.

11. You have now completed the assembly of your new ceiling fan. You can now proceed with the hanging and the electrical wiring of your fan.

▲ WARNING

To reduce the risk of personal injury, do not insert foreign objects in between the rotating blades.

How to Hang Your Ceiling Fan

⚠ WARNING

To avoid possible electrical shock, be sure electricity is turned off at the main fuse box before hanging.
NOTE: If you are not sure if the outlet box is grounded, contact a licensed electrician for advice, as it must be grounded for safe operation.

⚠ WARNING

The fan must be hung with at least 7' of clearance from floor to blades (Figure 1)

1. Securely attach the ceiling support cable to the ceiling joist or structural member using the $\frac{3}{8}$ " x 2" lag bolt and flat washer. The lag bolt will pass through the flat washer, loop of the ceiling support cable, the outlet box and into the supporting member (Figure 5). You will first drill a $\frac{1}{4}$ " pilot hole into the supporting member to prevent splitting or cracking.

2. Securely attach the hanger bracket to ceiling junction box **acceptable for ceiling support**.

NOTE: Ceiling support cable must be fastened between flat washer and junction box (Figure 5).

INSTALLATION NOTE

If you are installing your ceiling fan on a sloped ceiling, the hanger bracket must be mounted with the opening parallel to the slope.

INSTALLATION NOTE

Be sure that the safety cable (along with the electrical supply wires) is pulled through the downrod when installing the downrod.

3. Make sure the electrical supply wires, including the hanger bracket grounding wire and safety cable are pulled through the downrod, between the hanger bracket and the junction box so that electrical connections can be made later.

4. Carefully lift the fan and seat the downrod/hanger ball assembly on the hanger bracket that was just attached to the ceiling joist. Be sure the groove in the ball is lined up with tab on the hanger bracket. (Figure 6)

5. Attach the safety cable to ceiling support cable. Slide cable clamp onto safety cable (from fan). Place the end of cable through the loop of ceiling support cable. Pull as much cable through loop as possible. Feed end of cable into clamp hole and firmly tighten screw (Figure 6). Cut off excess safety cable.

⚠ WARNING

Failure to seat tab in groove could cause damage to electrical wires and possible shock or fire hazard.

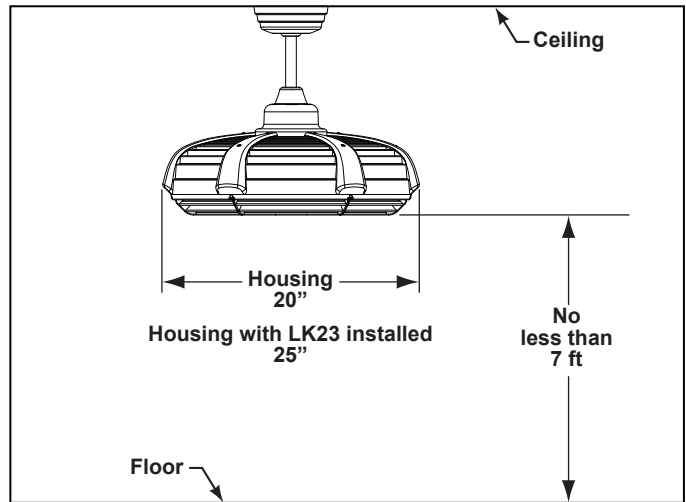


Figure 4

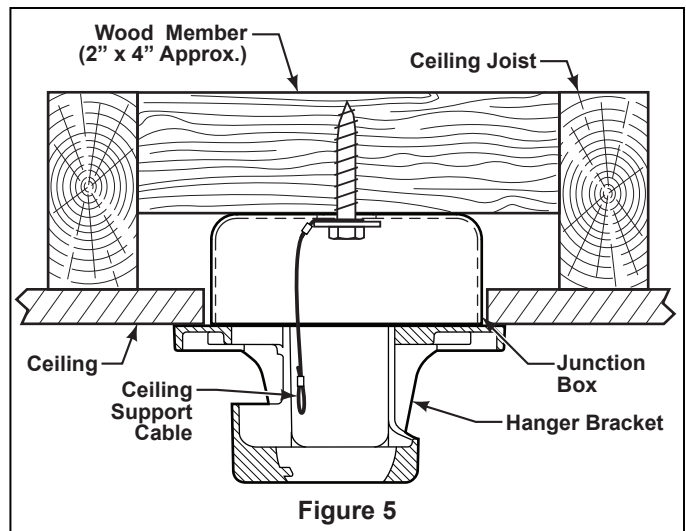


Figure 5

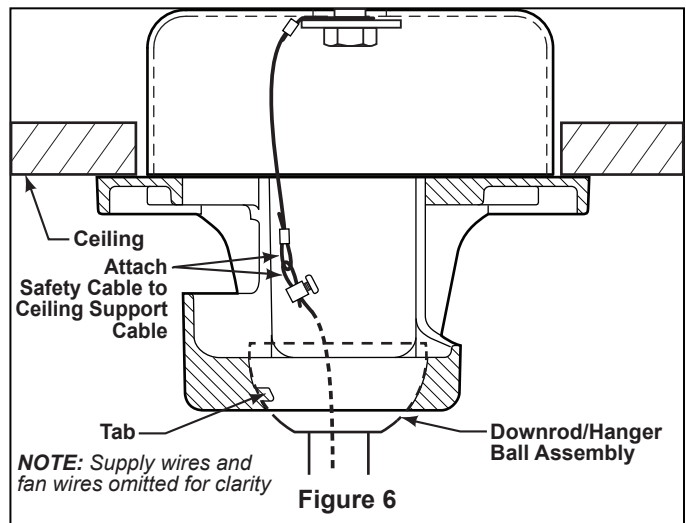


Figure 6

⚠ WARNING

To avoid possible shock, do not pinch wires between the downrod/hanger ball assembly and the hanger bracket.

How to Wire Your Ceiling Fan - C8 Remote Control

If you feel that you do not have enough electrical wiring knowledge or experience, have your fan installed by a licensed electrician.

⚠ WARNING

To avoid possible electrical shock, be sure electricity is turned off at the main fuse box before wiring.
NOTE: If you are not sure if the outlet box is grounded, contact a licensed electrician for advice, as it must be grounded for safe operation.

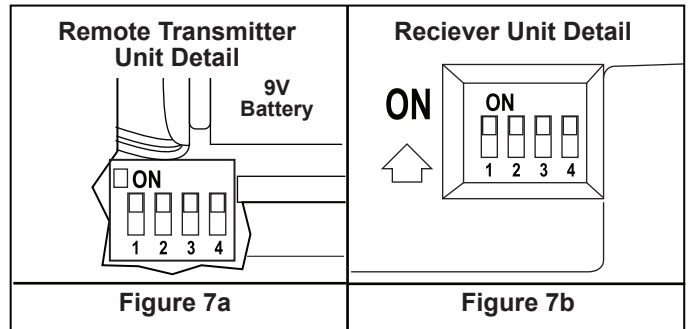
1. Setting the Code: The remote unit has 16 different code combinations. It may be necessary to test a couple frequency code settings to improve signal reception and/or eliminate interference from other remote control household items. Multiple fans should have different code settings to allow independent fan control. To set the code, perform these steps.

- **Transmitter:** remove battery cover. Press firmly below arrow and slide battery cover off. Slide code switches to your choice of up or down position. Factory setting is all up. Do not use this position. With a small screwdriver or ball point pen slide firmly up or down (Figure 7a). Replace battery cover on the transmitter.

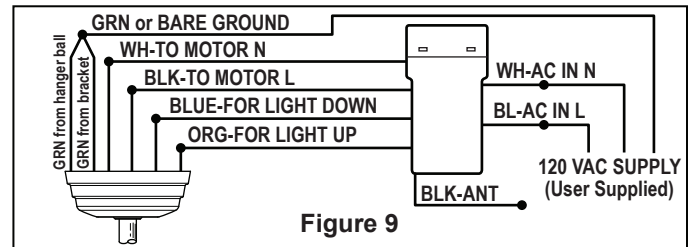
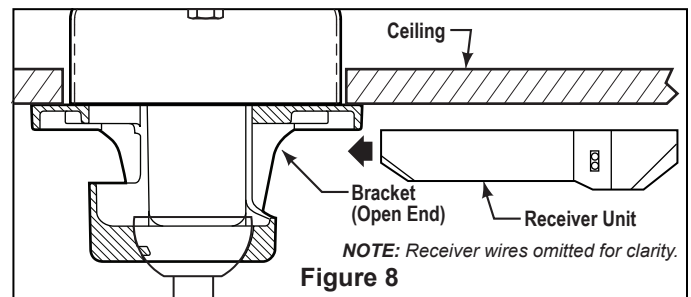
- **Receiver:** Slide code switches to the same positions as set on your transmitter (Figure 7b).

2. Installing Receiver in Hanger Bracket:

- Slide remote Receiver into the Hanger Bracket (Figure 8).
- Connect wires as indicated: (Figure 9)
- Green Hanger Bracket & Hanger Ball wires to BARE (ground) wire.
- BLACK Receiver Unit wire (AC IN L) to BLACK supply wire.
- WHITE Receiver Unit wire (AC IN N). to WHITE supply wire.
- WHITE Receiver Unit wire (TO MOTOR N) to WHITE fan wire.
- BLACK Receiver Unit wire (TO MOTOR L) to BLACK fan wire.
- BLUE Receiver Unit wire (FOR LIGHT DOWN) to BLUE light wire.
- ORANGE Receiver Unit wire (FOR LIGHT UP) to ORANGE light wire.
- Position all connected wires and receiver antenna to allow installation of ceiling canopy.
- Using canopy screws threaded into the hanger bracket reinstall ceiling canopy.
- Restore electrical power.



NOTE: If fan or supply wires are different colors than indicated, have this unit installed by a qualified electrician.



⚠ WARNING

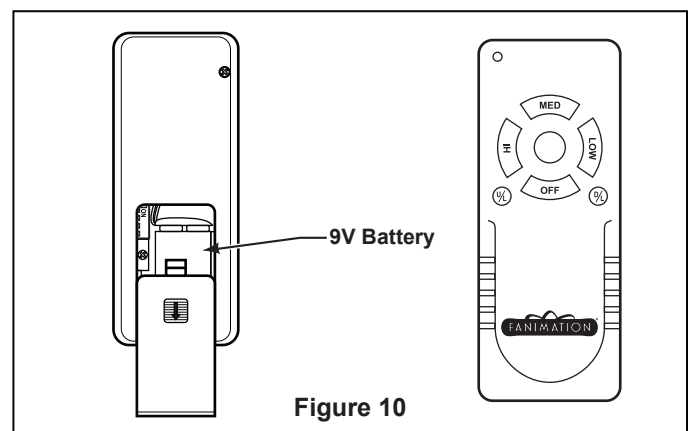
Check to see that all connections are tight, including ground, and that no bare wire is visible at the wire connectors, except for the ground wire. Do not operate fan until the blades is in place. Noise and fan damage could result.

Operating Instructions - C8 Remote Control

1. Operating & Using Remote Transmitter (Figure 10): Install 9 volt battery (If not using for long periods of time, remove battery to prevent damage to transmitter). Store the transmitter away from excess heat or humidity.

- HI Push Button – high fan speed
- MED Push Button – medium fan speed
- LOW Push Button – low fan speed
- OFF Push Button – fan off
- U/L Push Button – on/off and brightness control for optional up light
- D/L Push Button – on/off and brightness control for optional down light.

To control either light hold down key to increase or decrease brightness. Tap key quickly to turn light on or off. The light keys have auto resume and will stay at the same brightness as the last time it was turned off.



How to Wire and Operate Your C9 Wall Control

If you feel that you do not have enough electrical wiring knowledge or experience, have your fan installed by a licensed electrician.

⚠ WARNING

To avoid possible electrical shock, be sure electricity is turned off at the main fuse box before wiring.
NOTE: If you are not sure if the outlet box is grounded, contact a licensed electrician for advice, as it must be grounded for safe operation.

1. Setting the Code: The remote unit has 16 different code combinations. It may be necessary to test a couple frequency code settings to improve signal reception and/or eliminate interference from other remote control household items. Multiple fans should have different code settings to allow independent fan control. To set the code, perform these steps.

- **Wall Transmitter:** Slide code switches to your choice of up or down position. Factory setting is all up. Do not use this position. With a small screwdriver or ball point pen slide firmly up or down (Figure 11a). Replace battery cover on the transmitter.
- **Receiver:** Slide code switches to the same positions as set on your wall transmitter (Figure 11b).

2. Installing Receiver in Hanger Bracket:

- Slide remote Receiver into the Hanger Bracket (Figure 12)
- Connect wires as indicated: (Figure 13)
 - Green Hanger Bracket and Hanger Ball wires to BARE (ground) wire.
 - BLACK Receiver Unit wire (AC IN L) to BLACK supply wire.
 - WHITE Receiver Unit wire (AC IN N) to WHITE supply wire.
 - WHITE Receiver Unit wire (TO MOTOR N) to WHITE fan wire.
 - BLACK Receiver Unit wire (TO MOTOR L) to BLACK fan wire.
 - BLUE Receiver Unit wire (FOR LIGHT DOWN) to BLUE light wire.
 - ORANGE Receiver Unit wire (FOR LIGHT UP) to ORANGE light wire.
- Position all connected wires and receiver antenna to allow installation of ceiling canopy.
- Using canopy screws threaded into the hanger bracket reinstall ceiling canopy.

3. Installing Wall Transmitter (Figure 14):

- With electrical power still disconnected, remove the existing wall plate and switch.
- Make wiring connections with wire nuts as shown in Figure 3.
 - One black wire from wall control unit to black (hot supply).
 - One black wire from wall control unit to black wire leading to ceiling outlet box.
- Attach wall control unit to outlet box using the two 6-32 screws provided.
- Attach wall plate to the switch control front using the two small screws provided.
- Restore electrical power.

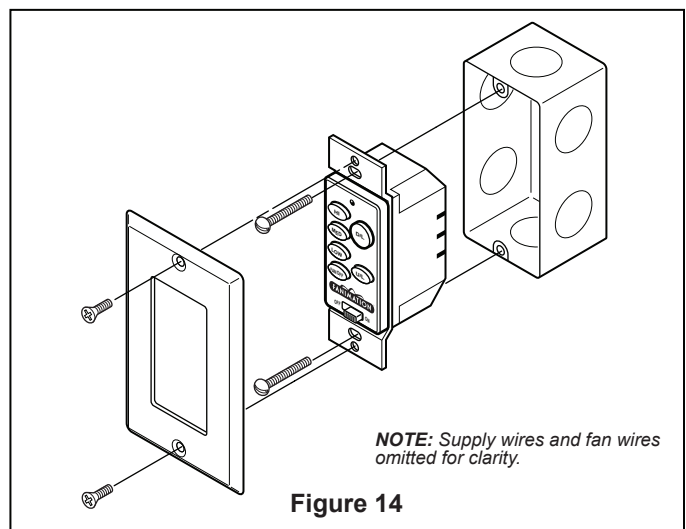
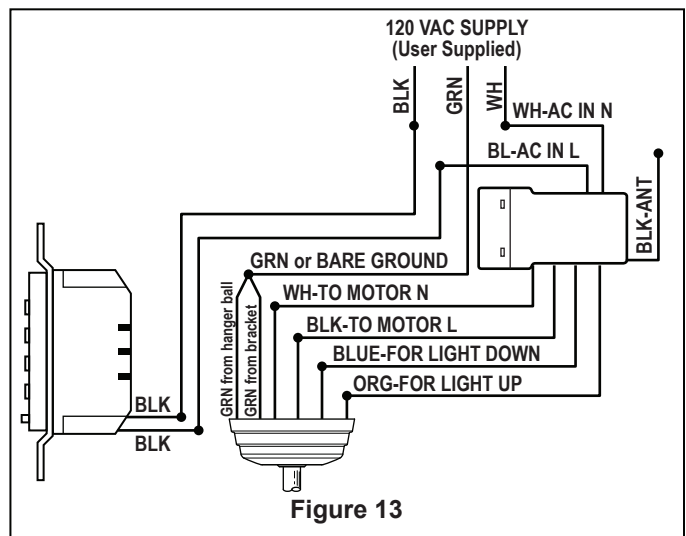
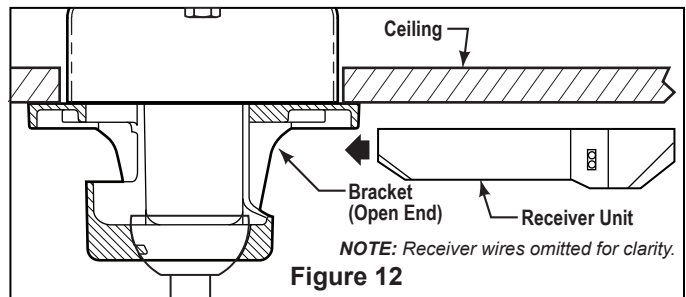
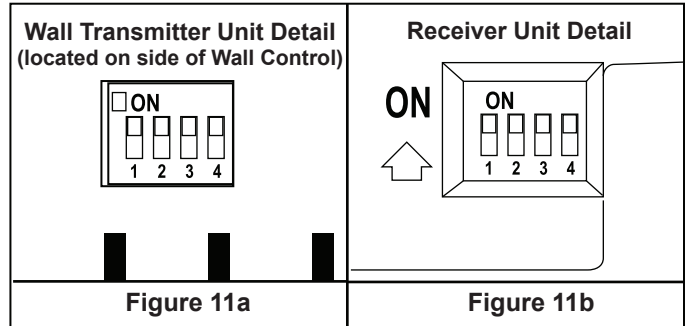
4. Operating & Using Wall Transmitter:

- HI Push Button – high fan speed
- MED Push Button – medium fan speed
- LOW Push Button – low fan speed
- OFF Push Button – fan off
- U/L Push Button – on/off and brightness control for optional up light
- D/L Push Button – on/off and brightness control for optional down light

⚠ WARNING

Check to see that all connections are tight, including ground, and that no bare wire is visible at the wire connectors, except for the ground wire. Do not operate fan until the blades is in place. Noise and fan damage could result.

NOTE: If fan or supply wires are different colors than indicated, have this unit installed by a qualified electrician.



Installing the Canopy Housing

NOTE: This step is applicable after the necessary wiring is completed. (see page 7 or 8)

▲ WARNING

To avoid possible fire or shock, make sure that the electrical wires are completely inside the canopy housing and not pinched between the housing and the ceiling.

1. Screw in two threaded rods into the Hanger Bracket (Figure 15a).

NOTE: The threaded rods in the hanger bracket serves as guides for easier installation.

2. Securely attach the Canopy Housing to the Hanger Bracket using the external lockwashers and knurled knobs supplied with your fan (Figure 15b)

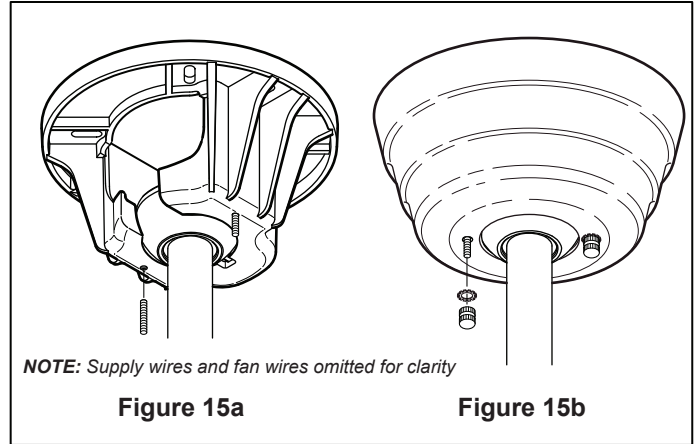


Figure 15a

Figure 15b

How to Install Your Light Kit - LK23 (Optional)

▲ WARNING

To avoid possible electrical shock, be sure electricity is turned off at the main fuse box.

1. Turn off power.
2. Remove the “plain” light channel covers with the Philips screwdriver. Save the screws. (Figure 16)
3. Carefully connect the electrical connector on the light kit to connector on the fan housing before mounting the light kits.
4. Position light kit (LK23_ _) to corresponding position (Light A to position “A”, Light B to position “B”) on top of the fan housing and refasten the screws you saved from step two. Be sure the wires are not pinched between the cover and the fan assembly. Do not over-tighten.
5. Adjust the position of each light to a desired angle.
6. Restore power.
7. See pages 7 & 8 to operate your LK23 light Kit.

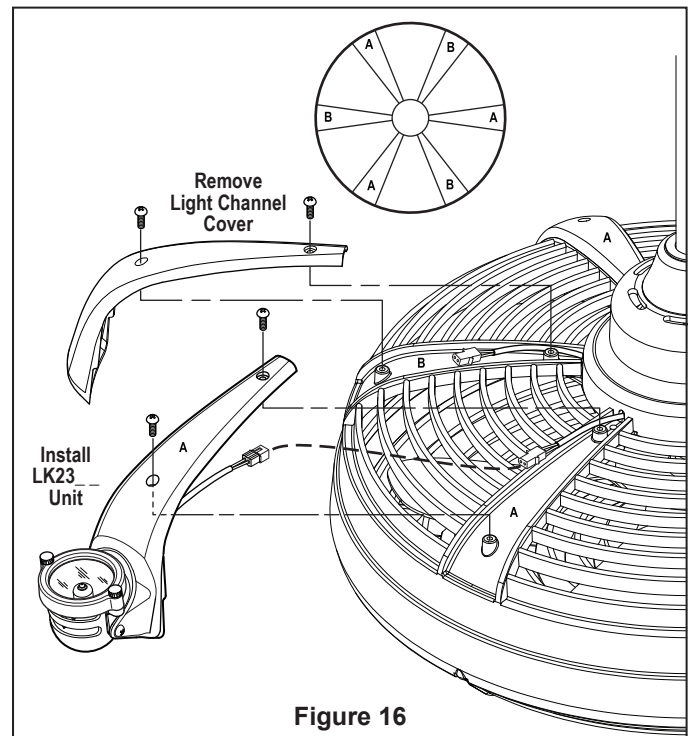


Figure 16

How to Change Your Light Bulbs

▲ WARNING

To prevent over-heating or electrical fires, use **ONLY 120 volt-35 watt, BA15D halogen bulbs** as specified.

1. Turn off power.
2. Remove the screws and the retaining ring.
3. Remove the burned-out bulb(s). By gently pressing down on the bulb, twisting counter-clockwise and pulling out the bulb (Figure 17).
4. Firmly seat the new bulbs in their sockets. By aligning pins on bulb base with slots in socket, gently pressing down and twisting clockwise to seat the bulb.
5. Secure the retaining ring and hand-tighten the screws.
6. Restore power.

To Order Replacement Bulbs

Contact your retail store and ask for Catalog #LB37.
(LB37 = 1 bulb)

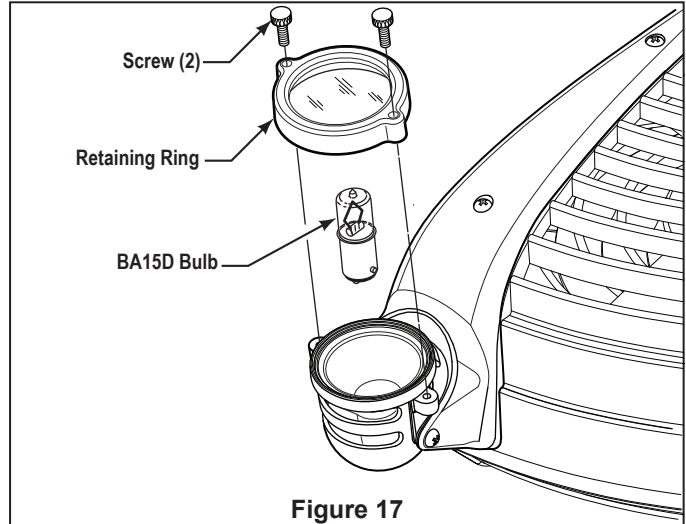


Figure 17

Maintenance

Periodic cleaning of your new ceiling fan is the only maintenance that is needed. When cleaning, use only a soft brush or lint free cloth to avoid scratching the finish. Abrasive and/or non-abrasive cleaning agents are not required and should be avoided to prevent damage to finish.

CAUTION

Do not use water when cleaning your ceiling fan. It could damage the motor or the finish and create the possibility of electrical shock.

Trouble Shooting

⚠ WARNING

For your own safety turn off power at fuse box or circuit breaker before trouble shooting your fan.

Trouble	Probable Cause	Suggested Remedy
1. FAN WILL NOT START	<ol style="list-style-type: none"> 1. Fuse or circuit breaker blown. 2. Loose power line connections to the fan, or loose switch wire connections in the switch housing. 3. Dead battery in remote control. 	<ol style="list-style-type: none"> 1. Check main and branch circuit fuses or circuit breakers. 2. Check line wire connections to fan and switch wire connections in the switch housings. <p>CAUTION: Make sure main power is turned off !</p> <ol style="list-style-type: none"> 3. Replace with fresh battery.
2. FAN SOUNDS NOISY	<ol style="list-style-type: none"> 1. Blades not attached to fan. 2. Loose screws in motor housing. 3. Screws securing fan blade are loose. 4. Motor noise caused by solid state variable speed control. 5. Light bulb(s) are rattling inside light housing. 	<ol style="list-style-type: none"> 1. Attach blades to fan before operating. 2. Check to make sure all screws in motor housing are snug (not over-tight). 3. Check to make sure the screws which attach the fan blade are tight. <p>CAUTION: Make sure main power is turned off !</p> <ol style="list-style-type: none"> 4. Some fan motors are sensitive to signals from solid-state variable speed controls. Solid-state controls are not recommended, choose an alternative control method. 5. Check to see that the retaining ring washer is in place and screws are snug.
3. FAN WOBBLER EXCESSIVELY	<ol style="list-style-type: none"> 1. Setscrew in downrod support is loose. 2. Setscrew in downrod/hanger ball assembly is loose. 3. Hanger bracket and/or ceiling outlet box is not securely fastened. 	<ol style="list-style-type: none"> 1. Tighten both setscrews securely in downrod support. 2. Tighten the setscrew in the downrod/hanger ball assembly. 3. Tighten the hanger bracket screws to the outlet box, and secure outlet box.

Parts List

Model #FP2320**

Ref. No.	Description	Part #
1	Hanger Bracket	APG510BL
5	Ceiling Canopy	PG160**
2	<i>Downrod/Hanger Ball Assembly Containing:</i>	ADR6**
3	Clevis Pin	
4	Hairpin Clip	
7	Motor Coupling Cover	MCC**
	<i>Fan Motor Assembly Consisting of:</i>	FP2320 Fan Body**
8	Housing, Upper	P2370**
9	Cover, Light Channel (6)	P2330**
10	Cover, Screw (12)	P2335
11	Housing, Motor	P2360**
12	Screw, Philips Hd. (6)	P2365
13	Motor	P2380
14	Screw, Philips Hd. (4)	P2385
15	Blade, Fan with set screw	P2340
16	Housing, Lower	P2351**
17	Screw, Philips Hd. (6)	P2355
18	Bulb, Halogen, BA15D, 120V, 35 watt (6)†	LB37
19	Light Kit (set of 6)†	LK23**
20	Wall Control	C9
21	Remote Control	C8
27	Receiver	REC2320
	<i>Support Cable Bag Containing:</i>	HWBSCABLE
22	Ceiling Support Cable	
23	Cable Clamp	
25	Flat Washer	
26	$\frac{3}{8}$ " x 2" Lag Bolt	
	<i>Hardware Bag Containing:</i>	HDWFP2300
6	5/32" Threaded Rods (2), 5/32" External Lockwashers (2), Knurled Knobs (2)	
24	Wire Connectors (5)	

† *Optional - Sold Separately*

***Insert FINISH CODES (Refer to fan model number located on downrod support)*

Before discarding packaging materials, be certain all parts have been removed

How To Order Parts

When ordering repair parts, always give the following information:

- Part Number
- Part Description
- Fan Model Number

Contact your retail store for repair parts.

The Escalade® FP2320**

Exploded-View

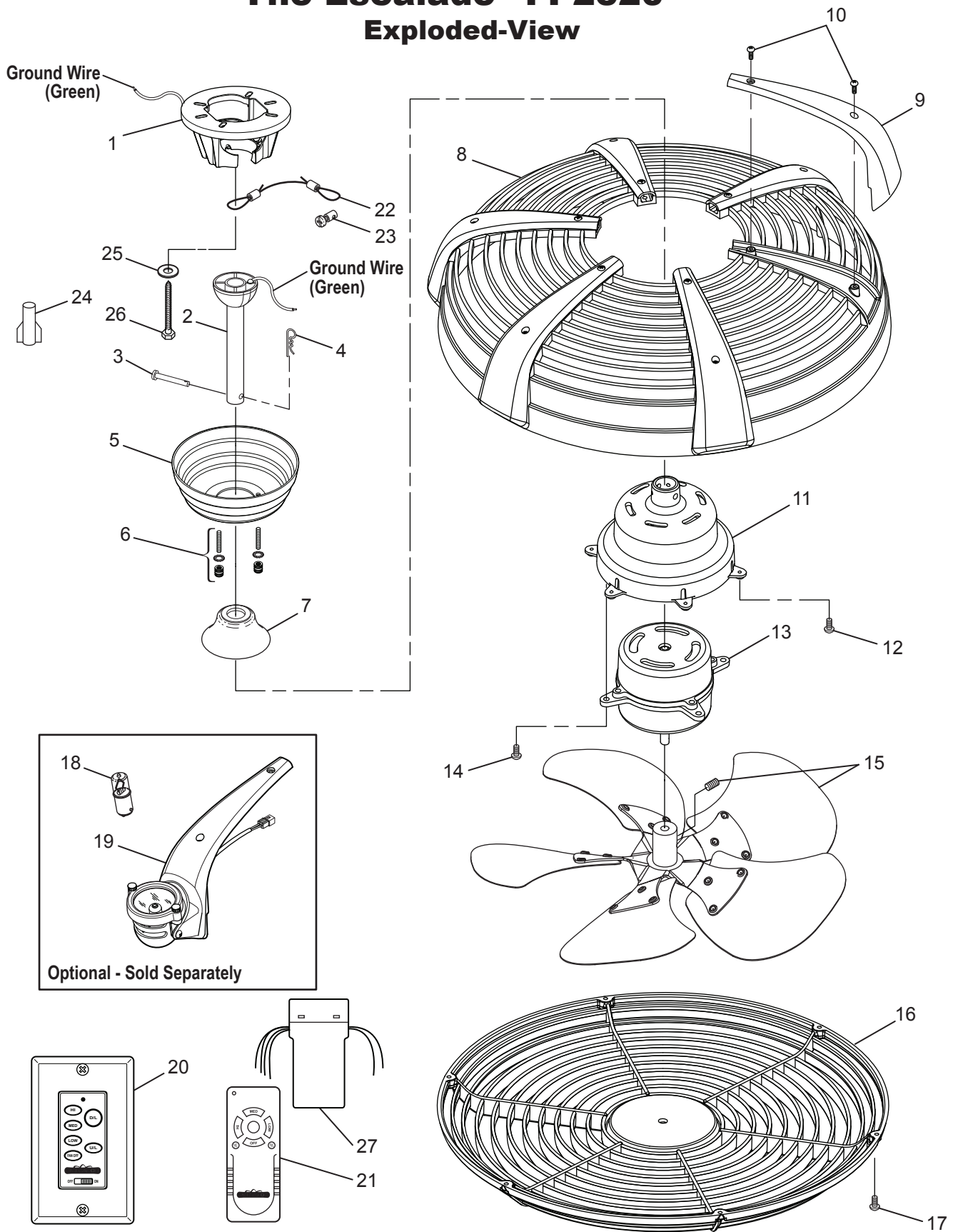


Figure 18



**10983 Bennett Parkway
Zionsville, IN 46077
(888) 567-2055
FAX (866) 482-5215**