

C25 Wireless Wall Control

SPECIFICATION and INSTRUCTION SHEET



DESCRIPTION: One Ceiling Fan & Light, 3 Speed Wireless Wall Control

FAN MODEL USED: May be used in conjunction with TR24** Remote Control
See Catalog or visit our website www.fanimation.com for more information

How to Set and Operate Your C25 Wireless Wall Control

If you feel that you do not have enough electrical wiring knowledge or experience, have your fan installed by a licensed electrician.

! WARNING

To avoid possible electrical shock, be sure electricity is turned off at the main fuse box before wiring.

NOTE: If you are not sure if the outlet box is grounded, contact a licensed electrician for advice, as it must be grounded for safe operation.

1. Setting the Code: The remote unit has 16 different code combinations. It may be necessary to test a couple frequency code settings to improve signal reception and/or eliminate interference from other remote control household items. Multiple fans should have different code settings to allow independent fan control. To set the code, perform these steps.

2. Receiver: Slide code switches to your choice of up or down position. Factory setting is all up. Do not use this position. With a small screwdriver or ball point pen slide firmly up or down (Figure 1b).

3. Transmitter: Remove the cover plate. Slide code switches to the same positions as set on your receiver. Install the battery. Re-install the cover plate (Figure 1a) (Figure 2).

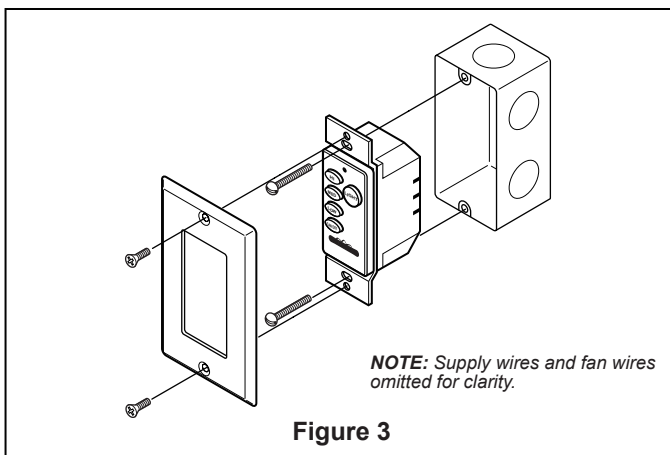
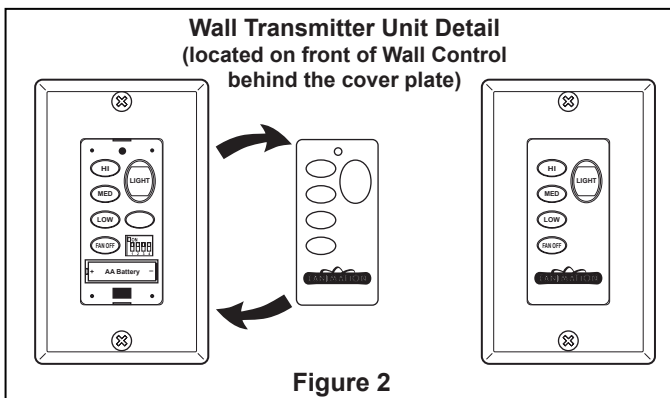
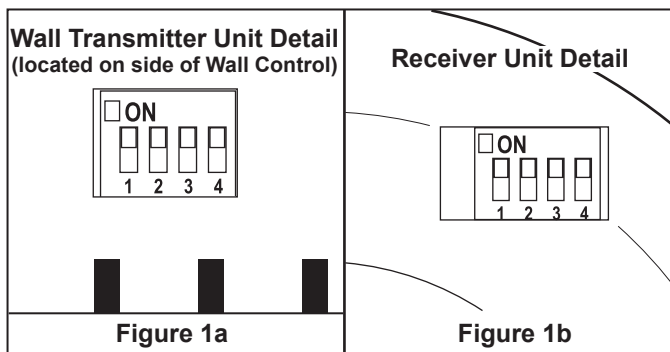
4. Installing Wireless Wall Transmitter (Figure 3):

- Remove the existing wall plate and switch.
- Be sure to complete the electrical circuit within the junction box by-passing wall control. Connect black to black, white to white, green to green. Carefully push wires into the outlet box.
- Attach wall control unit to outlet box using the two 6-32 screws provided.
- Attach wall plate to the switch control front using the two small screws provided.
- Restore electrical power.

NOTE: In case of weak reception, replace battery inside wall control.

5. Operating & Using Wall Transmitter:

- HI Push Button – high fan speed
- MED Push Button – medium fan speed
- LOW Push Button – low fan speed
- OFF Push Button – fan off
- Light Push Button – toggles on/off and brightness control for optional light arms



! WARNING

Check to see that all light arm connections are tight, and that no bare wire is visible at the wire connectors. Do not operate fan until the side covers are in place. Noise and fan damage could result.



10983 Bennett Parkway
Zionsville, IN 46077
(888) 567-2055 • FAX (866) 482-5215
Outside U.S. call (317) 733-4113
Visit Our Website @ www.fanimation.com

Copyright 2010 Fanimation
2013/02