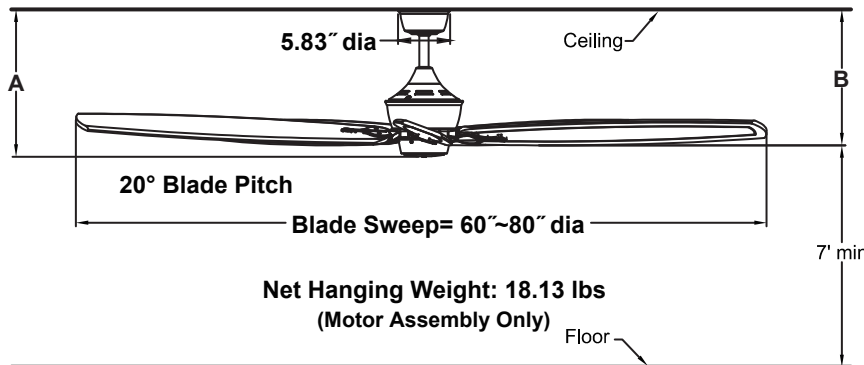


BIG ISLAND™

MAD3252** Ceiling Fan



Available Finishes	
AB	Antique brass
BN	Brushed Nickel
OB	Oil-rubbed bronze

	A	B
Fan w/6" downrod	16.30"	15.07"
Fan w/12" downrod	22.30"	21.07"
Fan w/18" downrod	28.30"	27.07"
Fan w/24" downrod	34.30"	33.07"
Fan w/36" downrod	46.30"	45.07"
Fan w/48" downrod	58.30"	57.07"
Fan w/60" downrod	70.30"	69.07"
Fan w/72" downrod	82.30"	81.07"

*Dimension when used with B6800 blades. Ceiling to blade measurement will vary depending on blade.

INSTALLATION REQUIREMENTS:

Fan must be attached to a securely anchored electrical junction box capable of withstanding a load of at least 35 lbs.

ELECTRICAL REQUIREMENTS:

Requires a grounded electrical supply line of 120 volts AC, 60 Hz, 15 amp circuit.

MOTOR SPECS:

DC-165L DC motor is designed for optimal performance with this fan.

BLADES:

5 bladed blade sets are available in palm, bamboo, wood and composite materials—all sold separately. See our catalog or visit www.fanimation.com for blade options.

Note: Fan speeds will vary according to blade set—material, shape and size of blade. In general, smaller blades will turn faster than bigger ones and narrower blades will turn faster than wider ones.

CONTROL OPTIONS:

TR39 hand-held DC fan remote control is included. Push button remote control has 6 fan speeds, infinite light levels, reverse and off button. Optional TW40 wall control is available—sold separately. Instructions are provided with each control.

LIGHTING OPTIONS:

Optional lighting fitters and light kits are available—See our catalog or visit www.fanimation.com for available lighting options.

DOWNROD OPTIONS:

Fan comes with a 1" dia. x 6" long downrod (DR1-6). Optional downrods are available in 12", 18", 24", 36", 48", 60" and 72" lengths. A downrod coupler is available for installations requiring a downrod longer than 72". The fan can be mounted on a sloped ceiling up to 30°. Optional sloped ceiling kits are available for up to 52°. Optional close-to-ceiling kit is available as well- sold separately. Call technical support for more information.

LOCATION USE:

Fan is rated for dry and damp locations.

Airflow / Energy Efficiency Info (120V) Energy Star test with BPW6000 Blade					
Fan Speed	Max RPM	CFM	CFM / Watts	Amps	Watts
I	31	2567	1015	0.05	3
II	46	4085	1089	0.07	4
III	61	5453	892	0.10	6
IV	76	7045	688	0.16	10
V	92	8413	482	0.26	17
VI	109	10082	318	0.45	32