

AIRE DÉCOR Ceiling Fan

INSTALLATION INSTRUCTIONS

Model Series

BP200**1

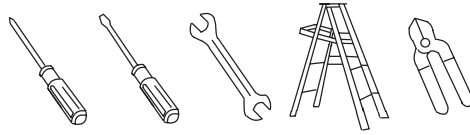
BP230**1



READ AND SAVE THESE INSTRUCTIONS

1. TOOLS AND MATERIALS REQUIRED

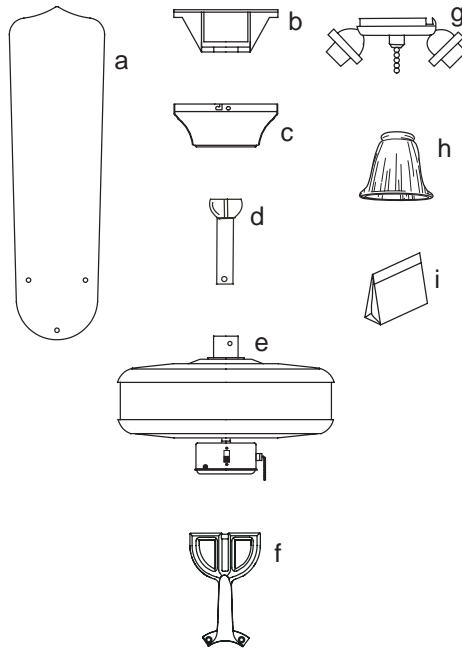
- Philips screw driver
- Blade screw driver
- 11 mm wrench
- Step ladder
- Wire cutters



2. PACKAGE CONTENTS

Unpack your fan and check the contents. You should have the following items:

- a. Blade set (5)
- b. Hanger bracket
- c. Canopy
- d. Downrod
- e. Fan motor assembly
- f. Blade bracket set (5)
- g. Light kit (Optional)
- h. Glass shades (3) (Optional)
- i. Package hardware
 - 1) wire nuts (4)
 - 2) Blade attachment hardware: screws (16), fiber or rubber washers (16)
 - 3) Pull chain and fobs
 - 4) Blade holder attachment hardware: screws (11)
 - 5) Balance Kit



3. SAFETY RULES

1. To reduce the risk of electric shock, insure electricity has been turned off at the circuit breaker or fuse box before beginning.
 2. All wiring must be in accordance with the National Electrical Code and local electrical codes. Electrical installation should be performed by a qualified licensed electrician.
 3. **WARNING:** To reduce the risk of electrical shock and fire, do not use this fan with any solid-state fan speed control device.
 4. **WARNING:** To reduce the risk of personal injury, use only the two steel screws (and lock washers) provided with the outlet box for mounting to the outlet box. Most outlet boxes commonly used for the support of lighting fixtures are not acceptable for fan support and may need to be replaced, consult a qualified electrician if in doubt.
- WARNING**
TO REDUCE THE RISK OF FIRE, ELECTRIC SHOCK OR PERSONAL INJURY, MOUNT FAN TO OUTLET BOX MARKED "ACCEPTABLE FOR FAN SUPPORT".
5. The outlet box and support structure must be securely mounted and capable of reliably supporting a minimum of 50 pounds. Use only UL Listed outlet boxes marked "**FOR FAN SUPPORT**".
 6. The fan must be mounted with a minimum of 7 feet clearance from the trailing edge of the blades to the floor.
 7. Do not operate reversing switch while fan blades are in motion. Fan must be turned off and blades stopped before reversing blade direction.
 8. Avoid placing objects in the path of the blades.
 9. To avoid personal injury or damage to the fan and other items, be cautious when working around or cleaning the fan.
 10. Do not use water or detergents when cleaning the fan or fan blades. A dry dust cloth or lightly dampened cloth will be suitable for most cleaning.
 11. After marking electrical connections, spliced conductors should be turned upward and pushed carefully up into outlet box. The wires should be spread apart with the grounded conductor and the equipment-grounding conductor on one side of the outlet box.
 12. Electrical diagrams are reference only. Light kit that are not packed with the fan must be UL Listed and marked suitable for use with the model fan you are installing. Switches must be UL General Use Switches. Refer to the Instructions packaged with the light kits and switches for proper assembly.
- WARNING**
TO REDUCE THE RISK OF PERSONAL INJURY, DO NOT BEND THE BLADE BRACKETS (ALSO REFERRED TO AS FLANGES) DURING ASSEMBLY OR AFTER INSTALLATION. DO NOT INSERT OBJECTS IN THE PATH OF THE BLADES.

4. MOUNTING OPTIONS

If there isn't an existing UL listed mounting box, then read the following instructions. Disconnect the power by removing fuses or turning off circuit breakers.

Secure the outlet box directly to the building structure. Use appropriate fasteners and building materials. The outlet box and its support must be able to fully support the moving weight of the fan (at least 50 lbs). Do not use plastic outlet boxes.

Figures 1,2 and 3 are examples of different ways to mount the outlet box.

Note: You may need a longer downrod to maintain proper blade clearance when installing on a steep, sloped ceiling. (Fig. 3)

To hang your fan where there is an existing fixture but no ceiling joist, you may need an installation hanger bar as shown in Figure 4.

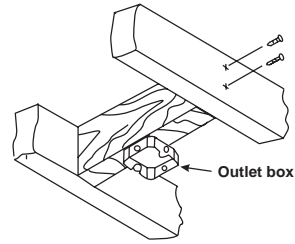


Figure 1

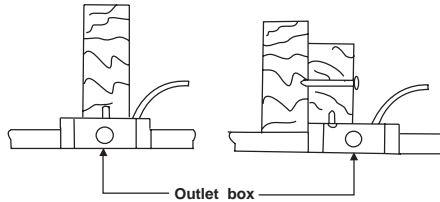


Figure 2

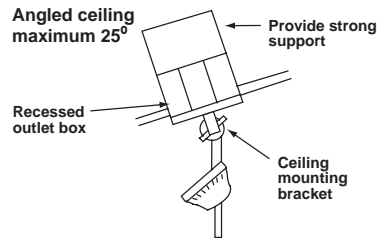


Figure 3

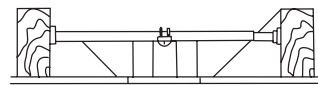


Figure 4

5. HANGING THE FAN

REMEMBER to turn off the power. Follow the steps below to hang your fan properly. **NOTE:** This ceiling fan is supplied with two types of hanging assemblies; the standard ceiling installation using the downrod with ball and socket mounting and the "close-to-ceiling" installation. The "close-to-ceiling" installation is recommended in rooms with less than 8-foot ceilings or in areas where additional space is desired from the floor to the fan blades.

STANDARD CEILING INSTALLATION

Step 1. Pass the 120-volt supply wires through the center hole in the ceiling hanger bracket as shown in Fig. 5.

Step 2. Secure the hanger bracket to the ceiling outlet box with the screws and washers provided with your outlet box.

Step 3. Remove hanger ball from downrod assembly by loosening set screws, removing the cross pin, and sliding ball off rod. (Fig. 6)

Step 4. Loosen the two set screws and remove the hitch pin and lock pin from the top coupling of the motor assembly. (Fig. 7)

Step 5. Carefully feed the fan wires up through the downrod. Thread the downrod into the coupling until the Hitch pin holes are aligned. Next, replace the lock clip and hitch pin then tighten the set screws. (Fig. 7)

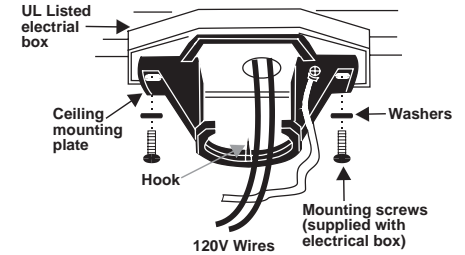


Figure 5

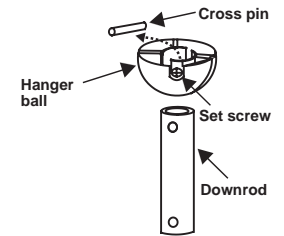


Figure 6

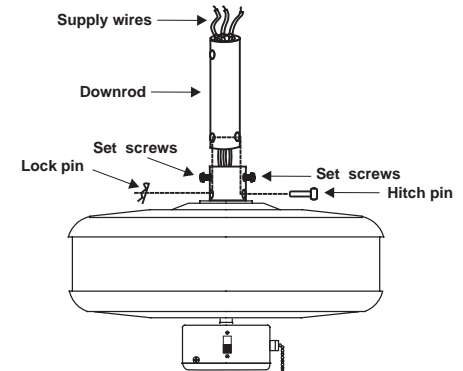


Figure 7

Step 6. Slip canopy onto downrod. Carefully reinstall hanger ball onto rod being sure that cross pin is in correct position, the set screw on hanger ball is tight and wires are not twisted. (Fig. 8)

Step 7. Now lift the motor assembly into position and place the hanger ball into the hanger bracket. Rotate until the "Check Tab" has dropped into the "Registration Slot" and seats firmly. (Fig. 9). The entire motor assembly should not rotate if this is done correctly.

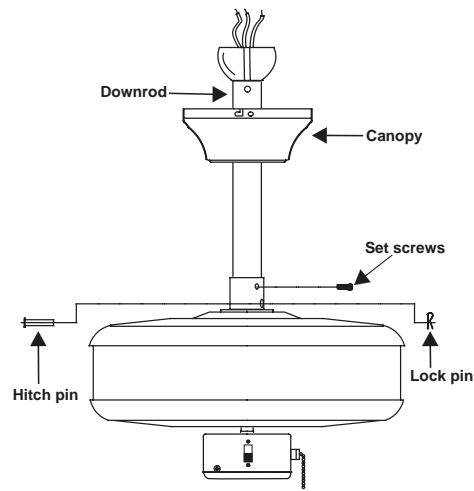


Figure 8

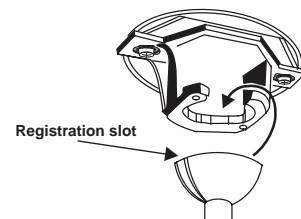


Figure 9

CLOSE-TO-CEILING INSTALLATION

1. Remove the decorative canopy bottom cover from the canopy. (Fig. 10)
 2. Pass the 120-volt supply wires through the center hole in the ceiling hanger bracket as shown in Fig. 5.
 3. Secure the hanger bracket to the ceiling outlet box with the screws and washers provided with your outlet box.
 4. Remove three of the six screws and lock washers (every other one) from the collar of top motor (Fig. 11)
 5. Place the ceiling canopy over the collar at the top of the motor. Align the mounting holes with the holes in the motor and fasten using the screws and lock washers provided (Fig. 11).
 6. Tighten the mounting screws securely. (Fig. 11)
- WARNING:** Failure to completely tighten the three screws in step 5 could result in fan loosening and possibly falling.
7. Hang the fan on the hook of the hanger bracket. Be certain that the canopy is fully locked into hook as shown in Fig. 12. This will allow you to make the electrical connections.

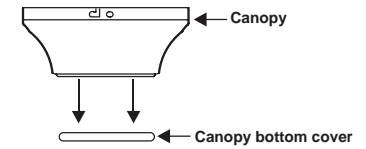


Figure 10

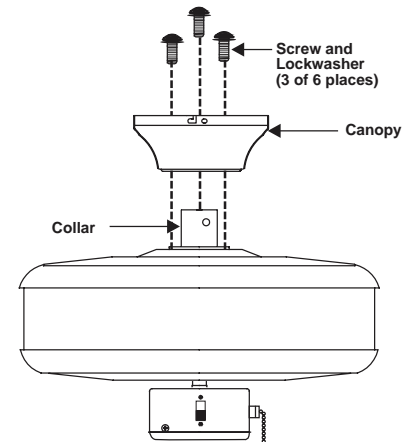


Figure 11

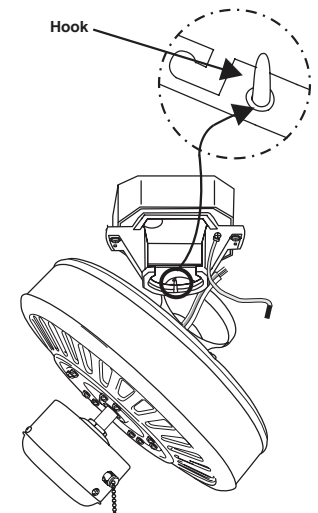


Figure 12

6. MAKE THE ELECTRIC CONNECTIONS

Remember to disconnect the power. Follow the steps below to connect the fan to your household wiring. Use the wire connecting nuts supplied with your fan. Secure the connectors with electrical tape. Make sure there are no loose strands or connections.

Step 1 Connect the fan supply (black) wire and light supply (blue) wire to the black household supply wire as shown in Figure 13.

Step 2. Connect the netura fan (white) wire to the white netura household wire.

Step 3 Connect the fan ground wire (green) to the household ground wire.

Step 4 After connecting the wires, spread them apart so that the green and white wires are on one side of the outlet box and the black and the blue wires are on the other side.

Step 5 Turn the connecting nuts upward and push the wiring into the outlet box.

Figures 14 and 15 illustrate the wiring connections for optional wall control (The wire color out of wall control may vary, see wall control's installation manual for correct wire connections.)

WARNING: TO REDUCE THE RISK OF FIRE, ELECTRIC SHOCK, OR OTHER PERSONAL INJURY. MOUNT FAN ONLY ON AN OUTLET BOX OR SUPPORTING SYSTEM MARKED ACCEPTABLE FOR FAN SUPPORT.

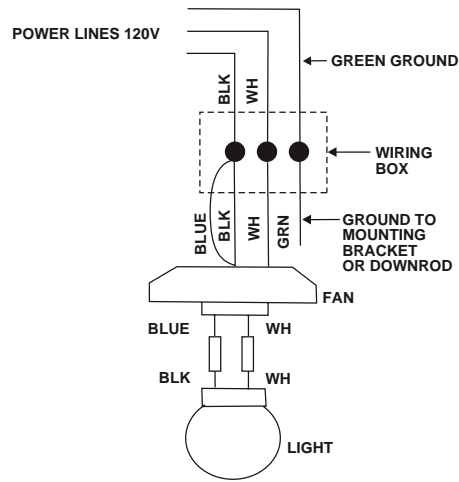


Figure 13

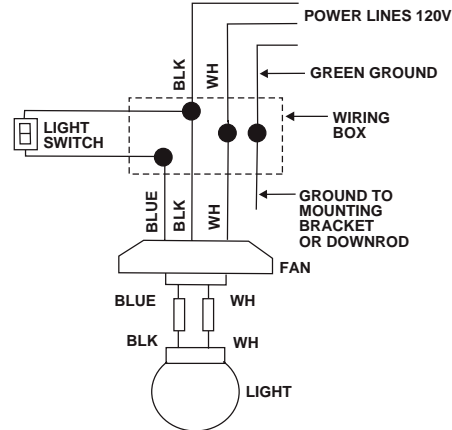


Figure 14

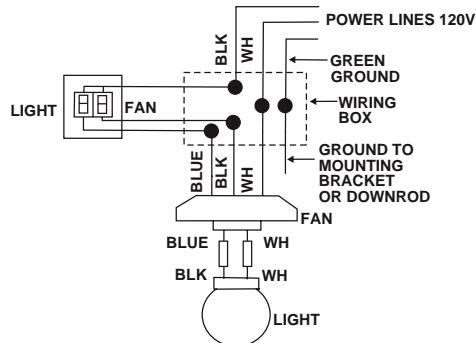


Figure 15

7. FINISHING THE INSTALLATION

STANDARD CEILING INSTALLATION

Slide canopy up to the ceiling as shown in Figure 16. Make sure you place the wires safely into the outlet box. Secure the canopy to the hanger bracket with the four screws with your fan.

CLOSE-TO-CEILING INSTALLATION

Remove the fan from the hook on the hanger bracket. Secure the canopy to the hanger bracket as shown in Figure 17 with four screws included with your fan.

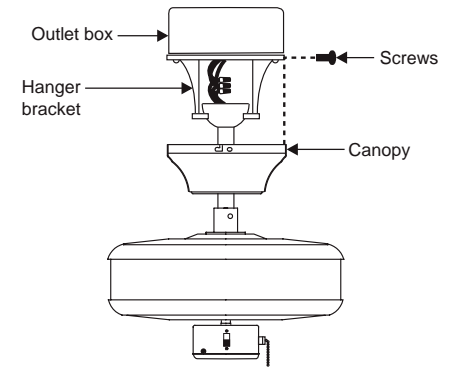


Figure 16

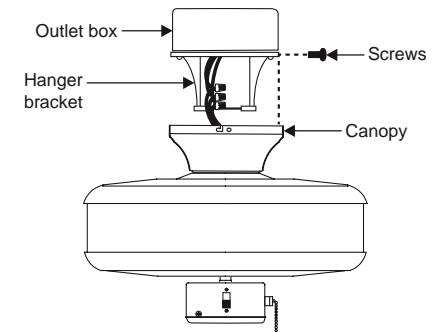


Figure 17

8. ATTACHING THE FAN BLADES

Caution: Remove 5 rubber packing mounts and discard before installation.

Step 1 Attach the blade to the blade bracket using the screws and fiber washers as shown in Figure 18. Start screw into bracket. Repeat for the two remaining screws.

Step 2 Tighten each screw. Make sure the blade is straight.

Step 3 Fasten blade assembly to motor using the screws supplied. (Fig. 18)

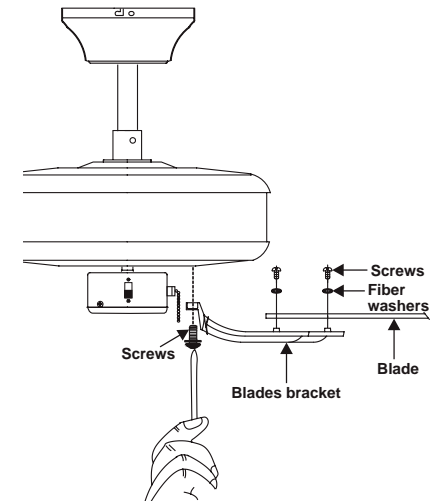


Figure 18

9. OPERATING YOUR FAN

Turn on the power and check the operation of your fan. The pull chain controls the fan speed as follows:

1. 3-speed pull chain: controls fan speed in the following sequence: Off - High - Medium - Low - Off.

Ceiling fan performance and energy savings rely heavily on the proper installation and use of the ceiling fan.

Speed settings for warm or cool weather depend on a variety of factors such as room size, ceiling height and number of fans. For best energy efficiency, fan should be mounted in the middle of the room and at least 7 feet above the floor and 18 inches from the walls. If ceiling height allows, install the fan 8 - 9 feet above the floor for optimal airflow.

2. Light kit pull chain (optional): turns light kit "ON" or "OFF".

The slide switch controls directions: forward (switch down) or reverse (switch up).

NOTE: Wait for fan to stop before changing the setting of the slide switch.

Warm weather - (Forward) A downward airflow creates a cooling effect as shown in Fig. 21. This allows you to set your air conditioner on a warmer setting without affecting your comfort.

Cool weather - (Reverse) An upward airflow moves warm air off the ceiling area as shown in Fig. 22. This allows you to set your heating unit on a cooler setting without affecting your comfort.

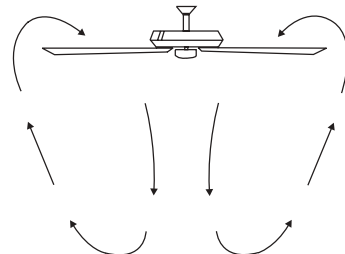


Figure 21

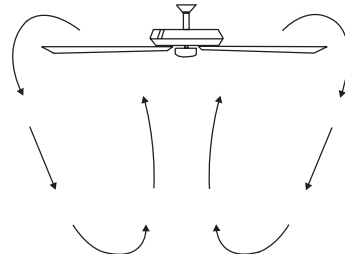


Figure 22

ENERGY SAVING TIP: Turn off fan when not in room

Ceiling fans cool people, not rooms. If the room is unoccupied, turn off the ceiling fan to save energy.

10. CARE OF YOUR FAN

Here are some suggestions to help you maintain your fan

1. Because of the fan's natural movement, some connections may become loose. Check the support connections, brackets, and blade attachments twice a year. Make sure they are secure. (It is not necessary to remove fan from ceiling.)
2. Clean your fan periodically to help maintain its new appearance over the years. Use only a soft brush or lint-free cloth to avoid scratching the finish. The plating is sealed with a lacquer to minimize discoloration or tarnishing. Do not use water when cleaning. This could damage the motor, or the wood, or possibly cause an electrical shock.
3. You can apply a light coat of furniture polish to the wood blades for additional protection and enhanced beauty. Cover small scratches with a light application of shoe polish.
4. There is no need to oil your fan. The motor has permanently lubricated bearings.

IMPORTANT: MAKE SURE THE POWER IS OFF AT THE ELECTRICAL PANEL BOX BEFORE YOU ATTEMPT ANY REPAIRS. REFER TO THE SECTION "MAKING ELECTRICAL CONNECTIONS".

11. TROUBLESHOOTING

Problem	Solution
Fan will not start.	<ol style="list-style-type: none"> 1. Check circuit fuses or breakers. 2. Check line wire connections to the fan and switch wire connections in the switch housing. CAUTION: Make sure main power is off.
Fan sounds noisy.	<ol style="list-style-type: none"> 1. Make sure all motor housing screws are snug. 2. Make sure the screws that attach the fan blade bracket to the motor hub is tight. 3. Make sure wire nut connections are not rubbing against each other or the interior wall of the switch housing. CAUTION: Make sure main power is off. 4. Allow a 24-hour "breaking-in" period. Most noise associated with a new fan disappear during this time. 5. If using an optional light kit, make sure the screws securing the glassware are tight. Check that light bulb is also secure. 6. Some fan motors are sensitive to signals from solid-state variable speed controls. If you have installed this type of control, choose and install another type of control. 7. Make sure the upper canopy is a short distance from the ceiling. It should not touch the ceiling.
Fan wobble.	<ol style="list-style-type: none"> 1. Check that all blade and blade arm screws are secure. 2. Most fan wobbling problems are caused when blade levels are unequal. Check this level by selecting a point on the ceiling above the tip of one of the blades. Measure this distance. Rotate the fan until the next blade is positioned for measurement. Repeat for each blade. The distance deviation should be equal within 1/8". 3. Use the enclosed Blade Balancing Kit if the blade wobble is still noticeable. 4. If the blade wobble is still noticeable, interchanging two adjacent (side by side) blades can redistribute the weight and possibly result in smoother operation.



10983 Bennett Parkway
Zionsville, IN 46077
Toll Free (888) 567-2055
FAX (866) 482-5215
Outside U.S. call (317) 733-4113