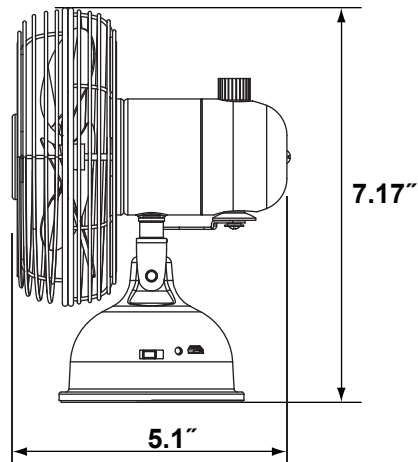
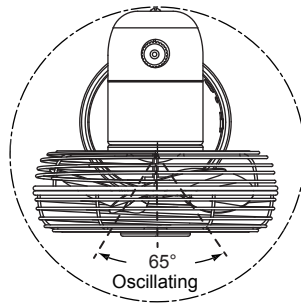
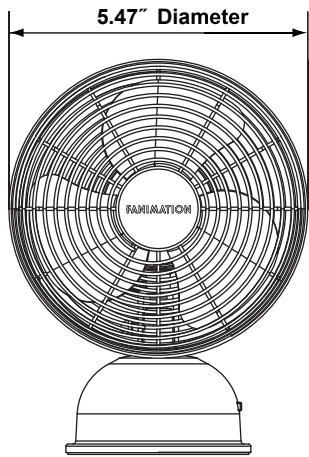


Junior Breeze

**FP6272BN
Oscillation
USB Fan**



Net Weight: 1.32 lbs

ELECTRICAL REQUIREMENTS:

Requires a grounded electrical supply line of 120 volt, and USB power cord into a PC or laptop USB connector.

MOTOR SPECS:

DC motor is designed for optimal performance with this fan.

CONTROL / SPEED:

Slide switch to turn the fan ON/OFF. RPM: 2,500

FEATURES:

- Includes USB power cord
- Vary angle blade pitch
- Lithium Battery #18650, 3.7 V, 2200mAh included
- Battery full charge need 4.5 hours at least
- 4 hours life after full charge

LOCATION USE:

Fan is rated for dry locations only.

Available Finishes

BN	Brushed Nickel with Plastic Blade
----	-----------------------------------

Airflow / Energy Efficiency Info (120V)

Fan Speed	Max RPM	CFM	CFM / Watts	Amps	Watts
High	2500	120	55	0.4	2.2